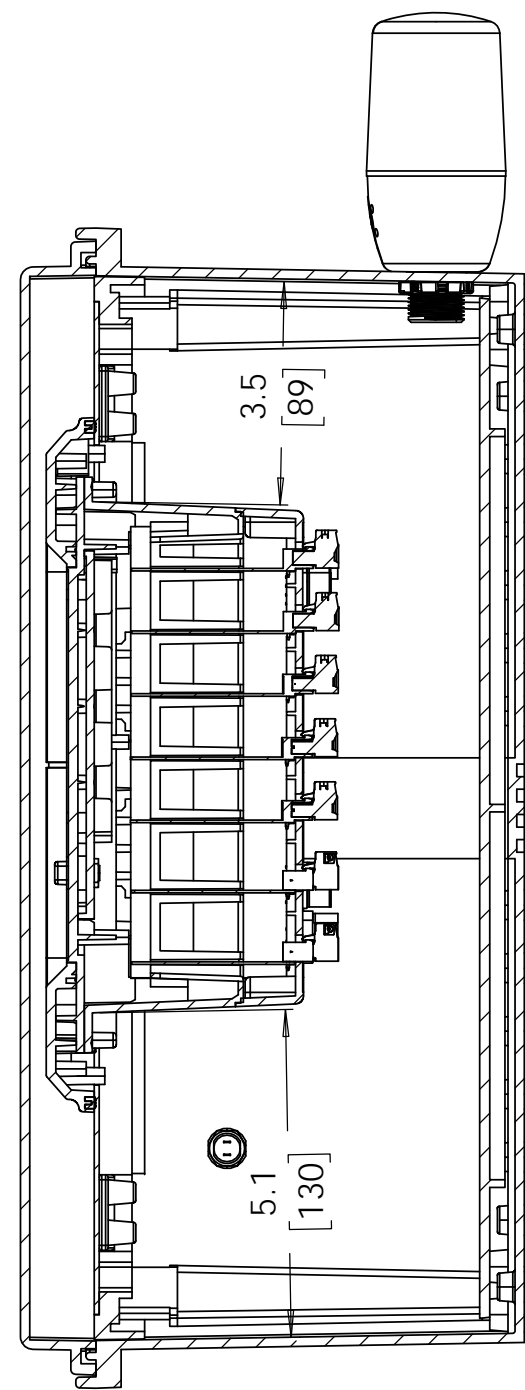
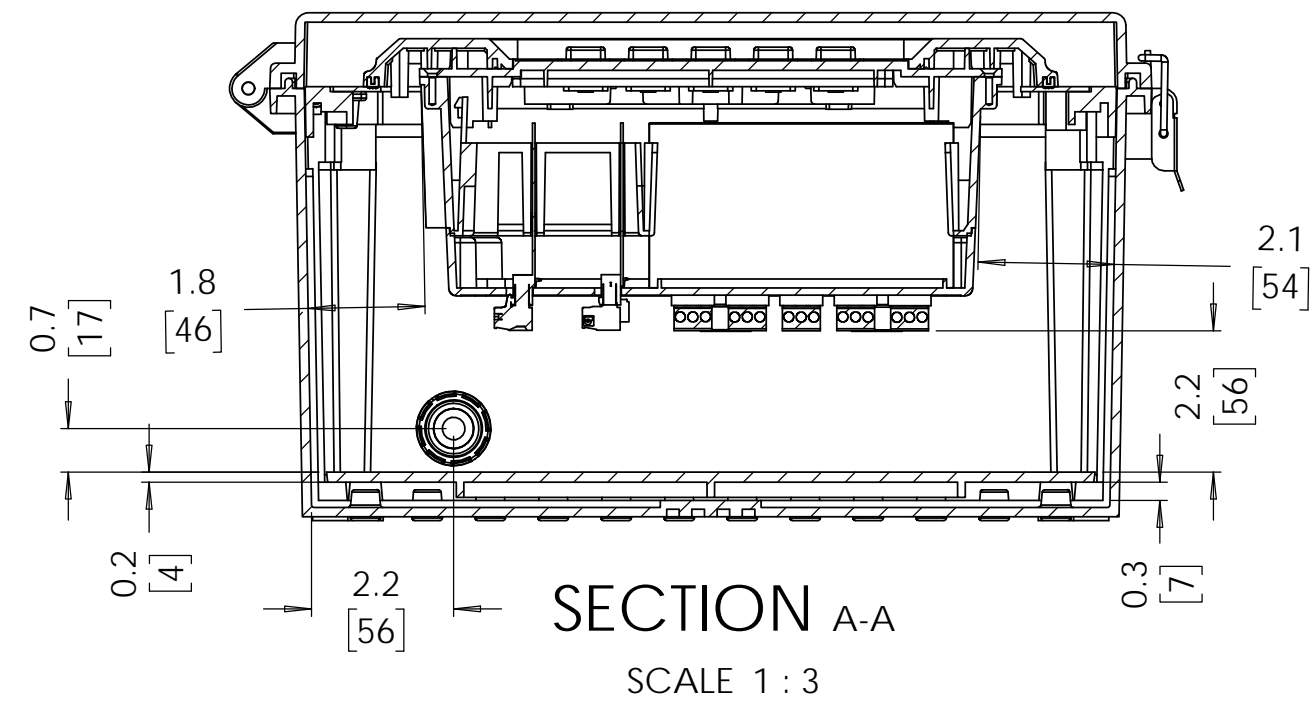


NOTES:

1. DIMENSIONS ARE IN INCHES [mm].
2. ENCLOSURE SHOWN WITH OPTIONAL LIGHT / HORN AND BUTTON.
3. ENCLOSURES PURCHASED WITHOUT THE OPTIONAL LIGHT / HORN AND/OR BUTTON ARE NOT DRILLED AT THOSE LOCATIONS.



SECTION B-B
SCALE 1 : 3

