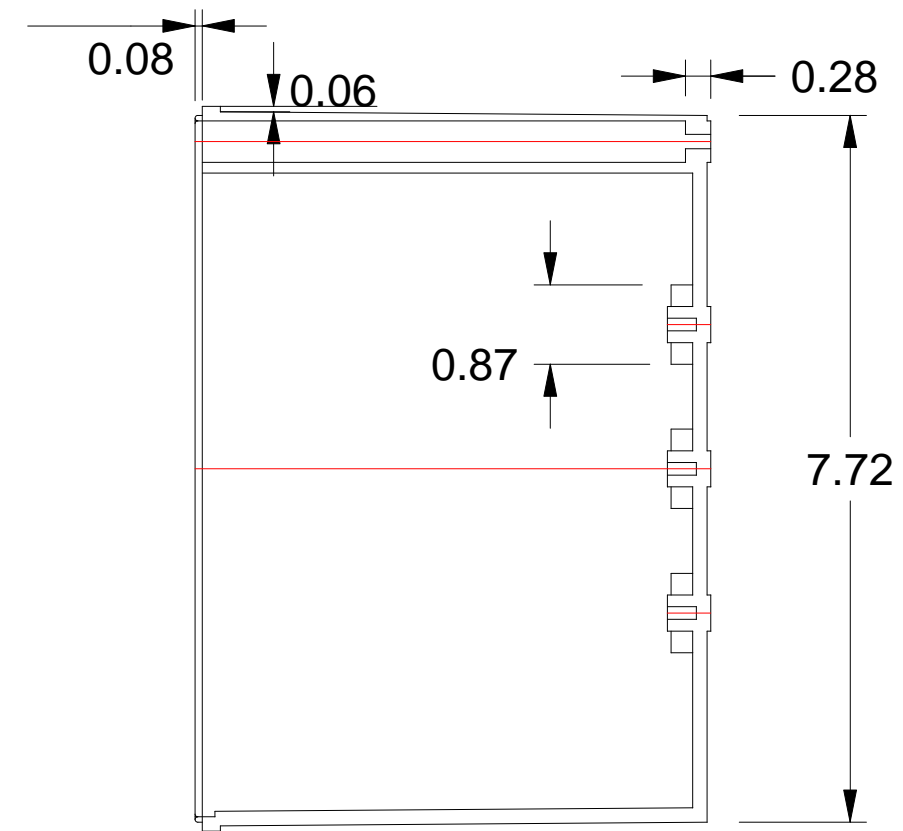
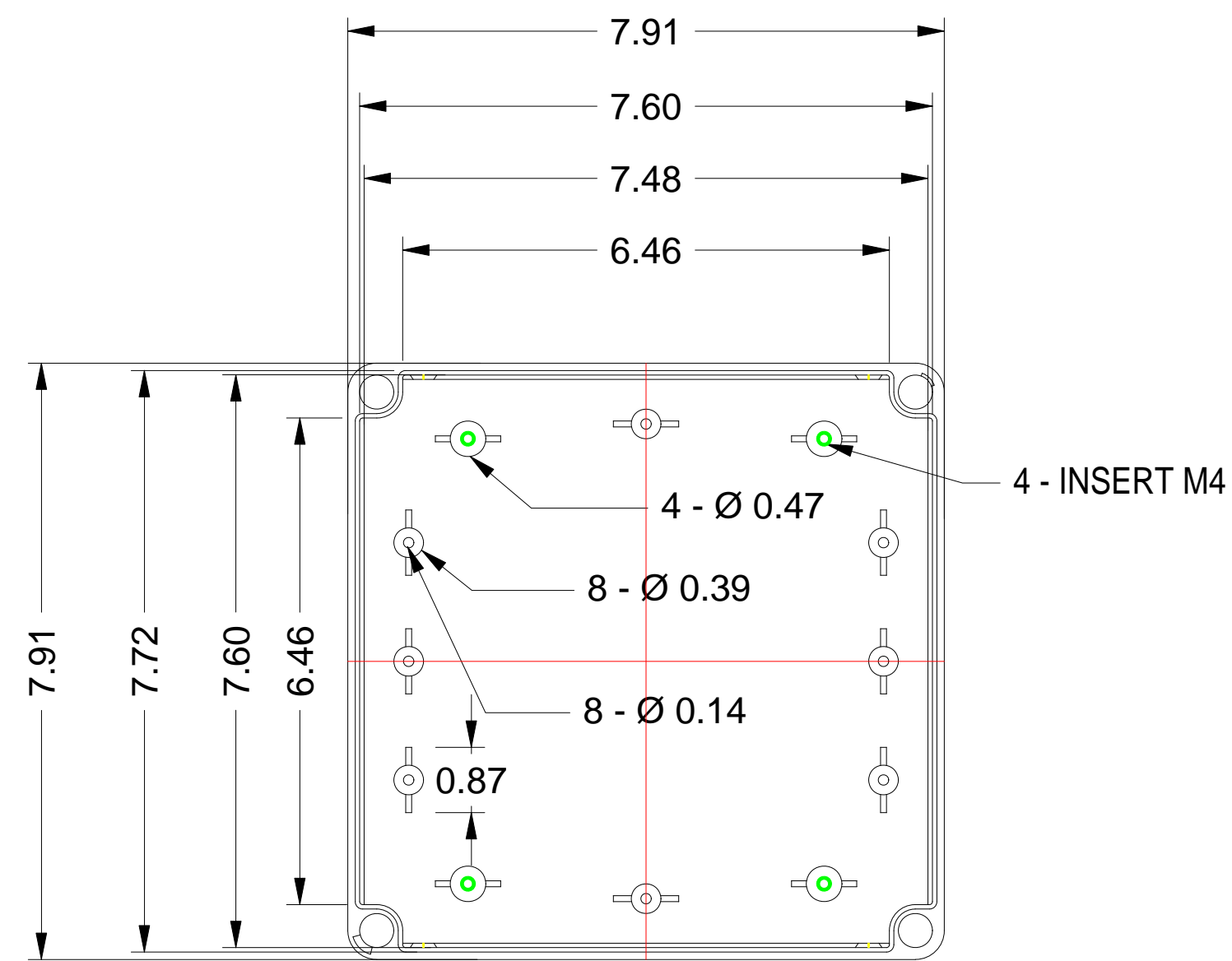
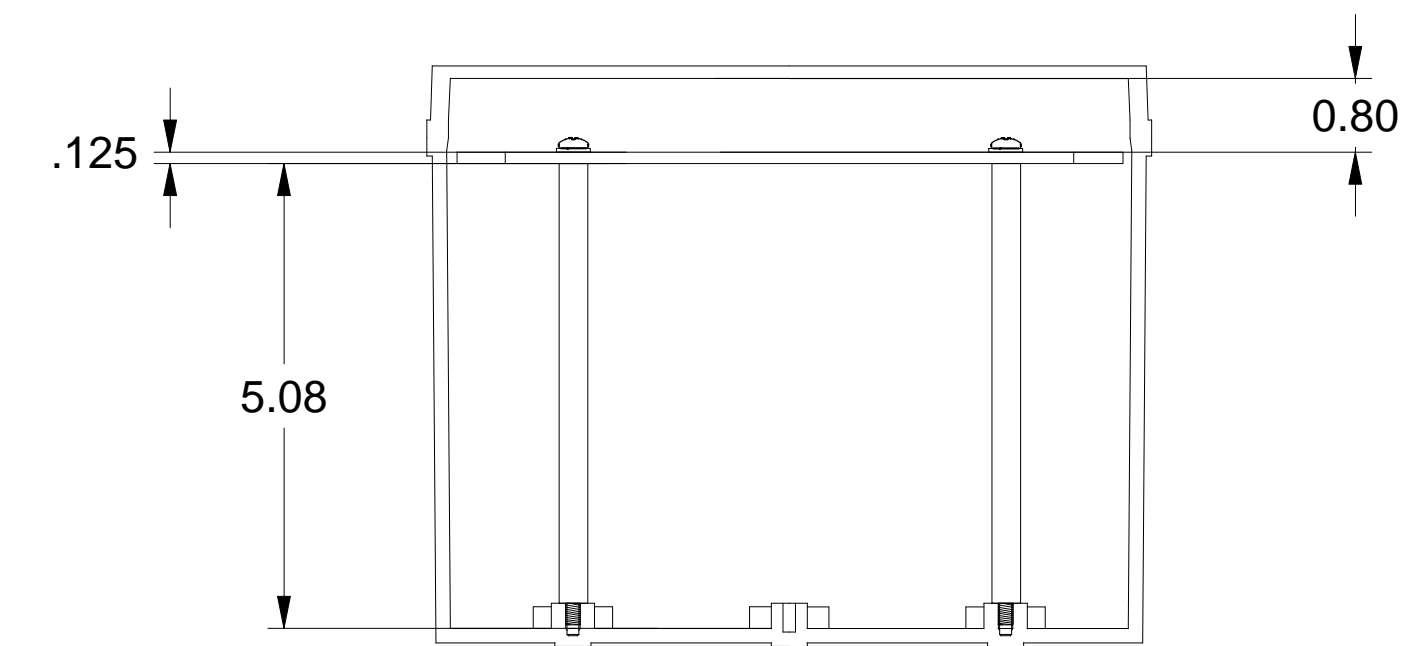
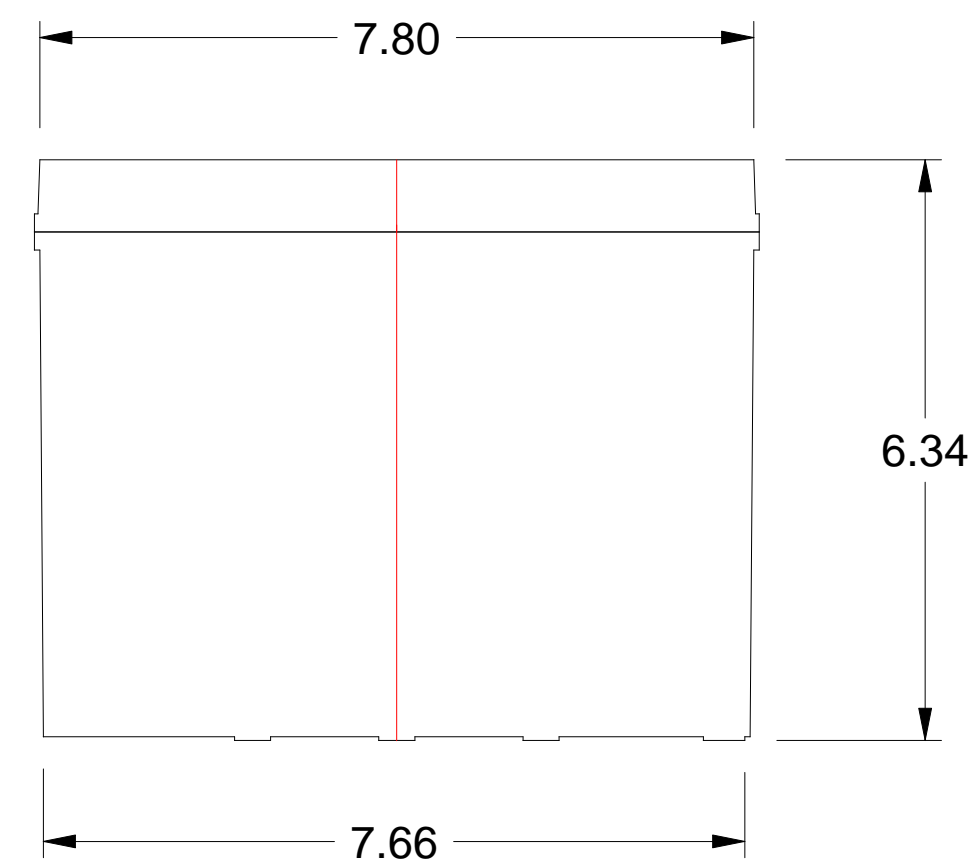
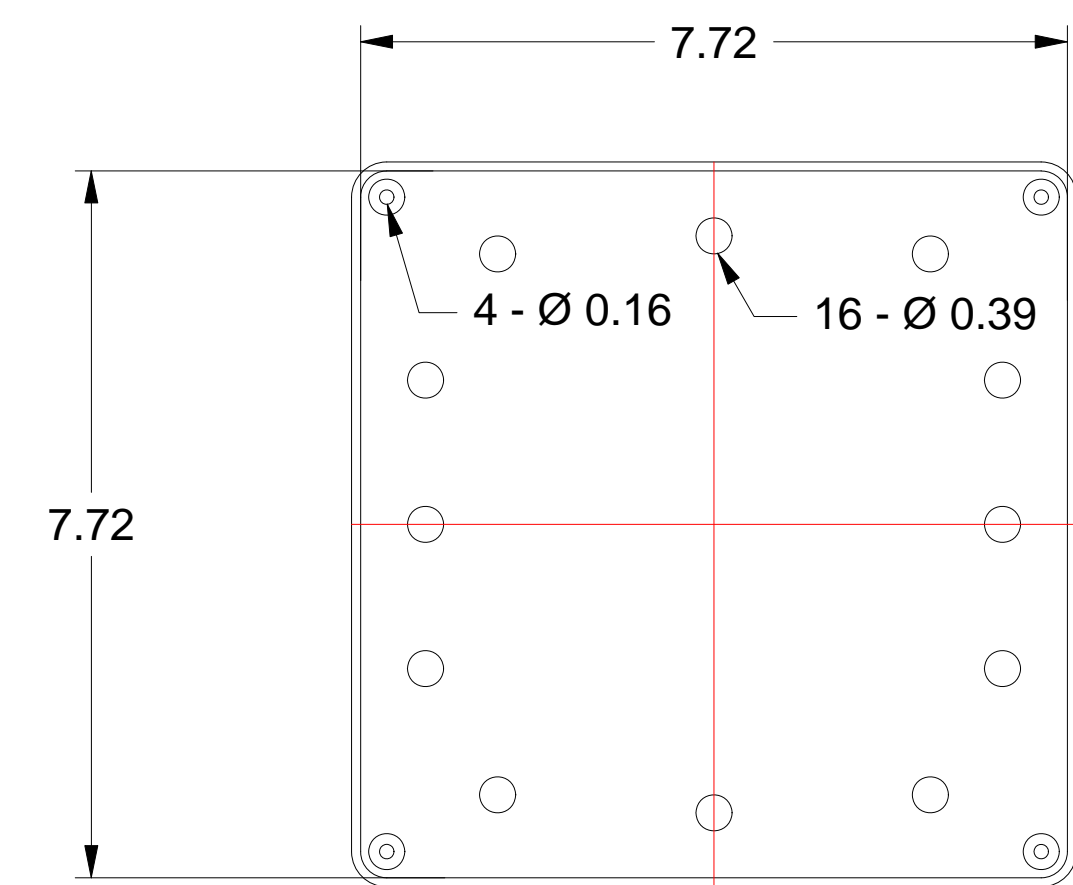
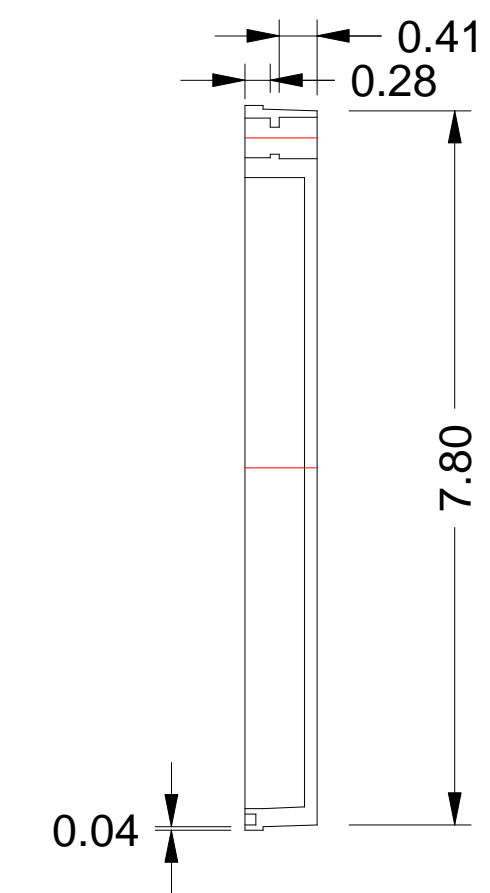
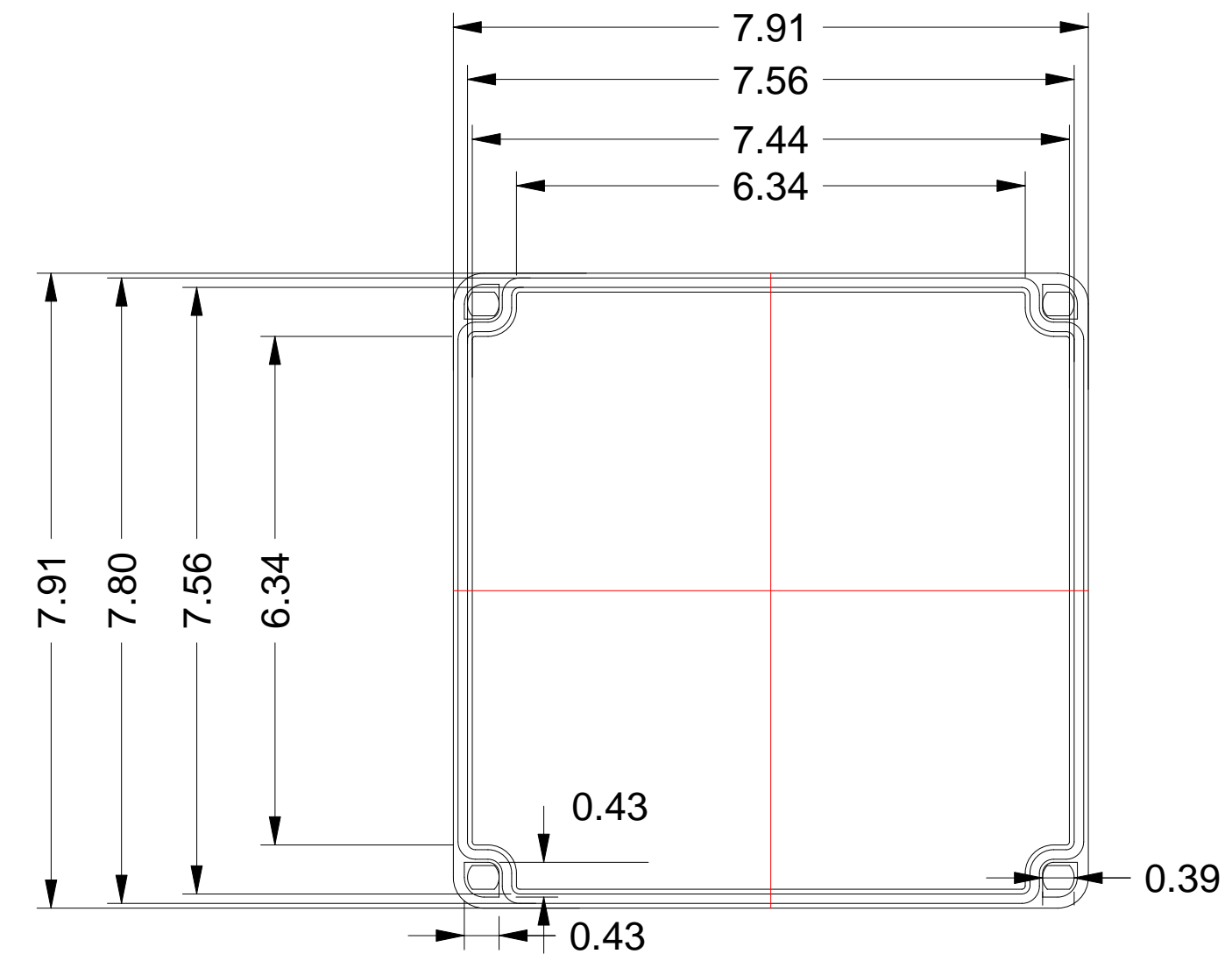


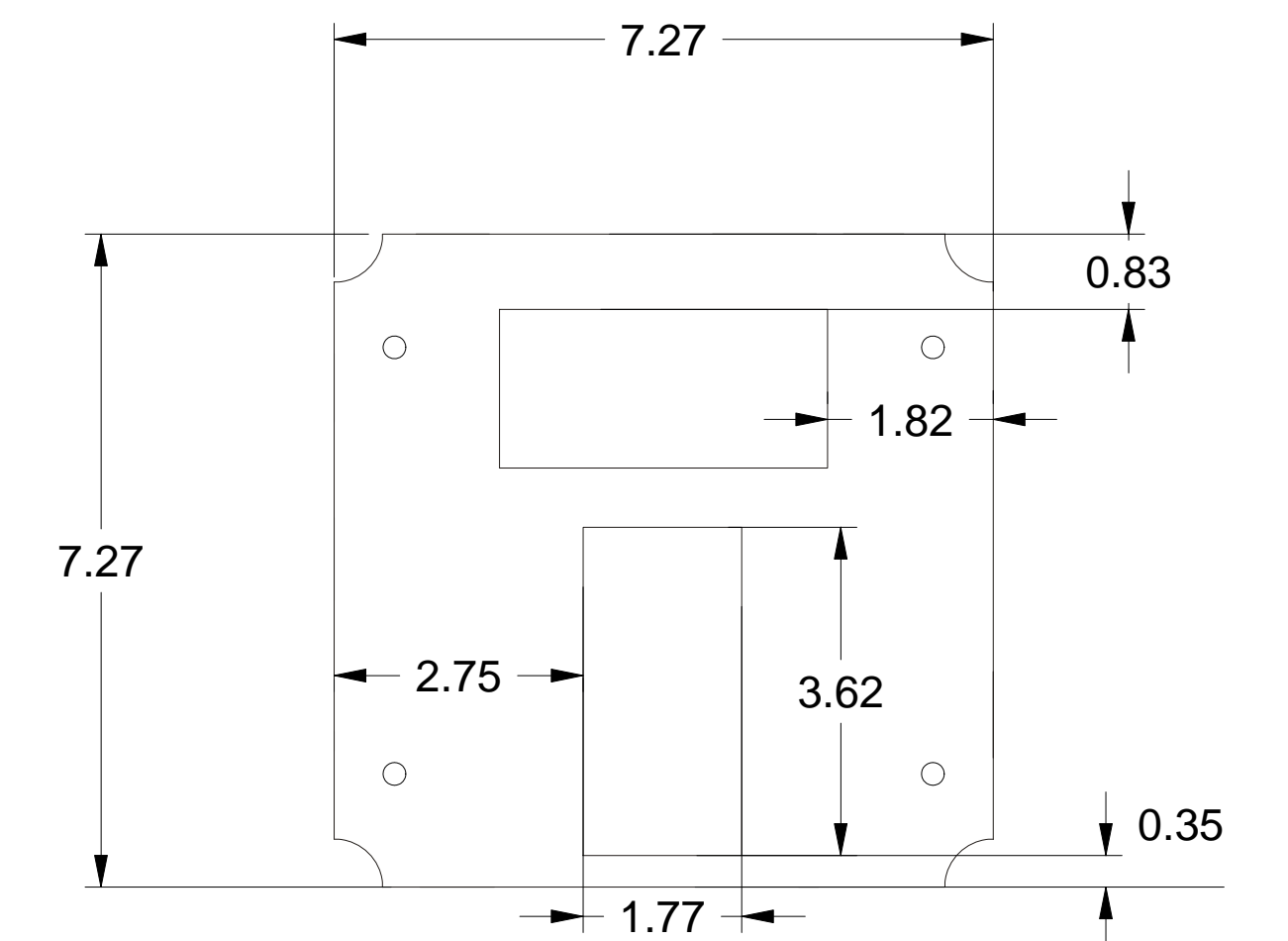
**BODY**



**COVER**



**CUT-AWAY SIDE VIEW**



**MOUNTING PLATE**



**STAND-OFF**



**HARDWARE**

**BOTTOM VIEW**

NOTES: ALL DIMENSIONS SHOWN ARE IN INCHES.  
STAND-OFF NOT TO SCALE

**PRECISION DIGITAL CORPORATION**  
HOLLISTON, MASSACHUSETTS 01746

**PDA3414 ENCLOSURE**  
**CAD DRAWING FILE**

DRAWN  
M. Andrews  
04/01/14