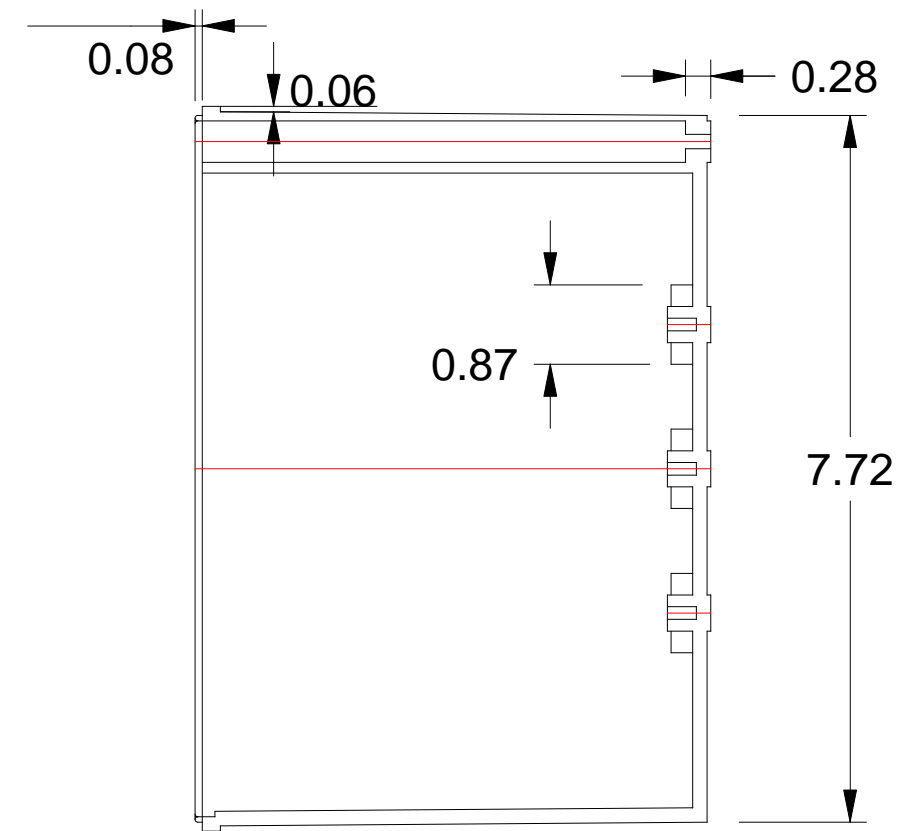
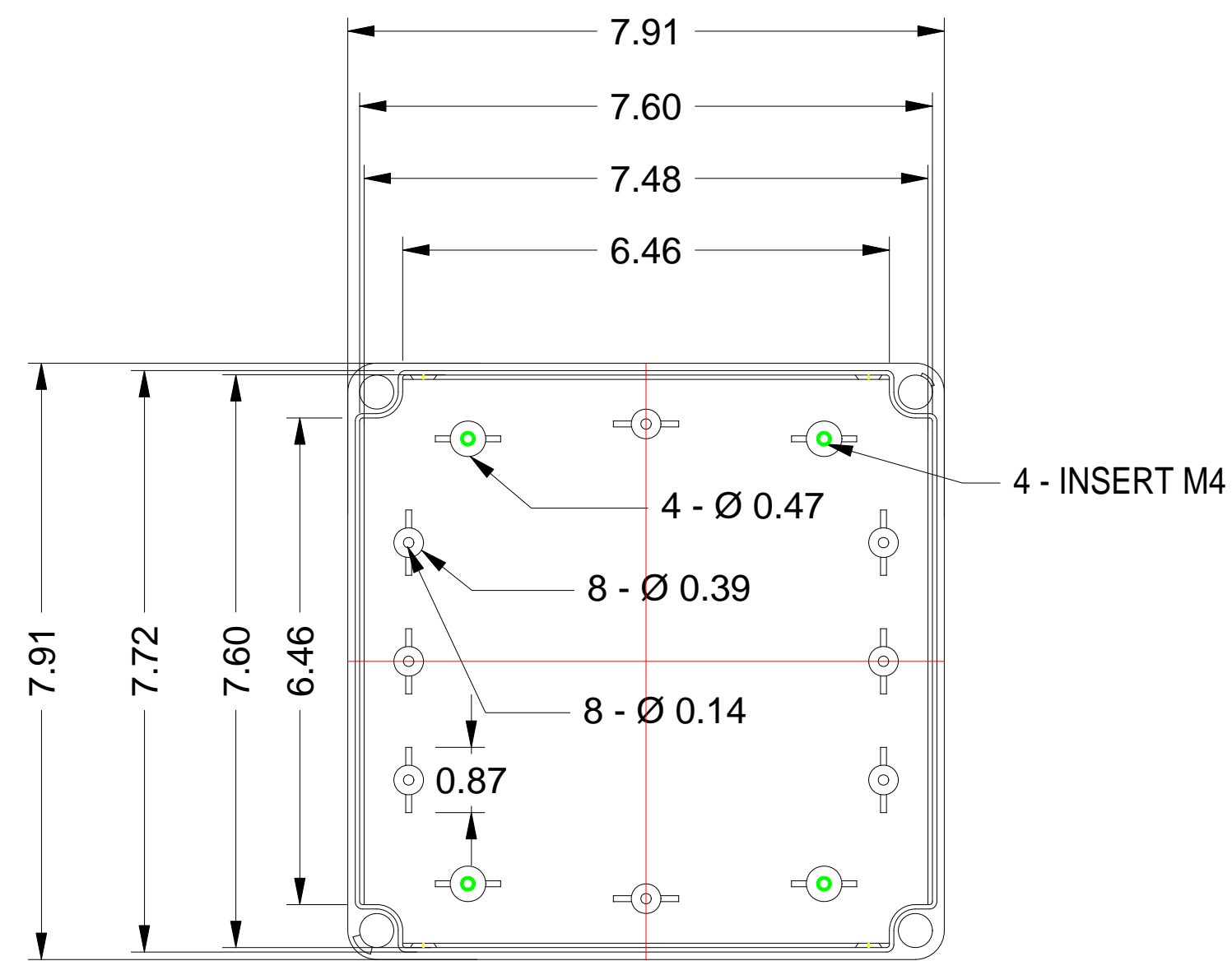
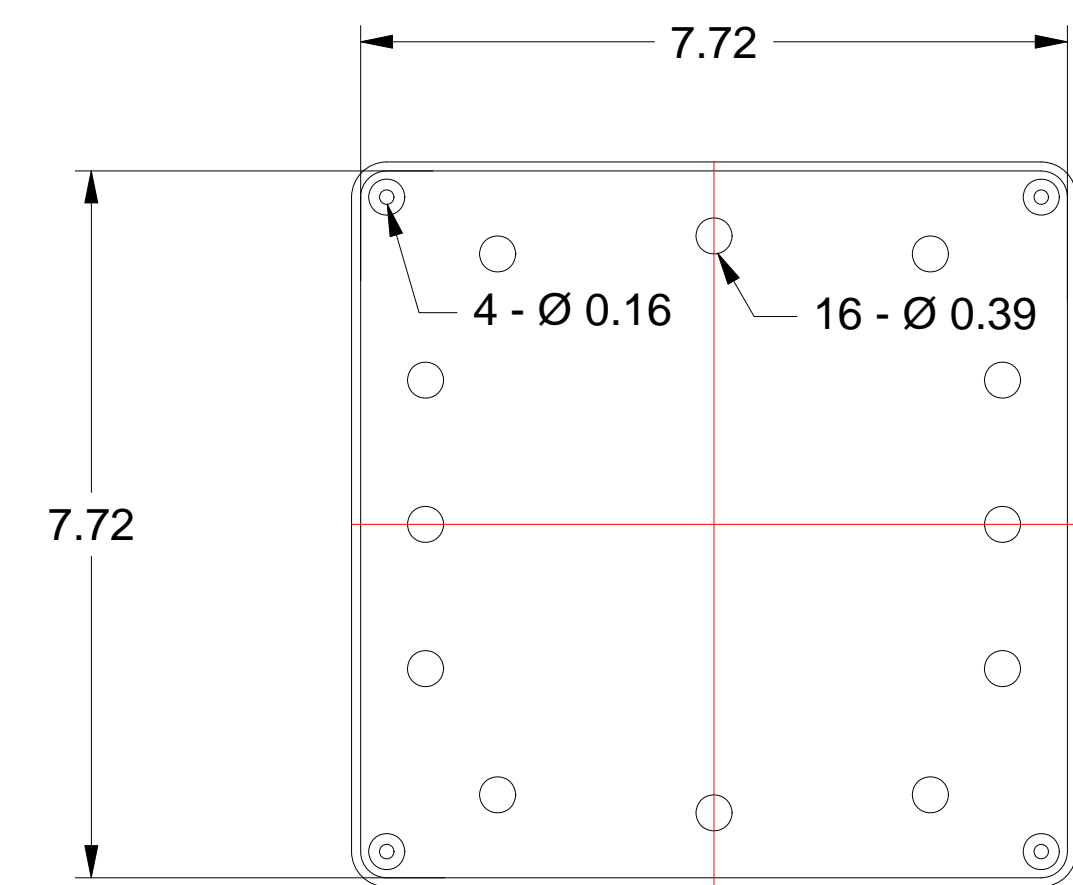
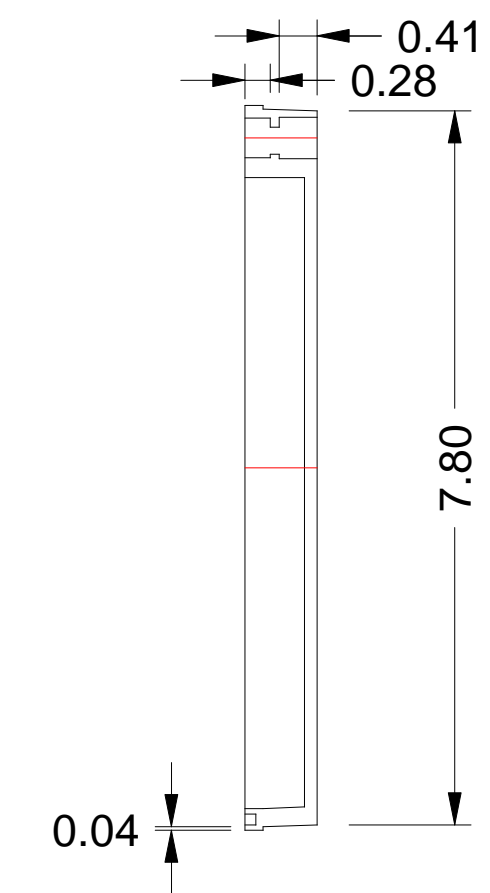
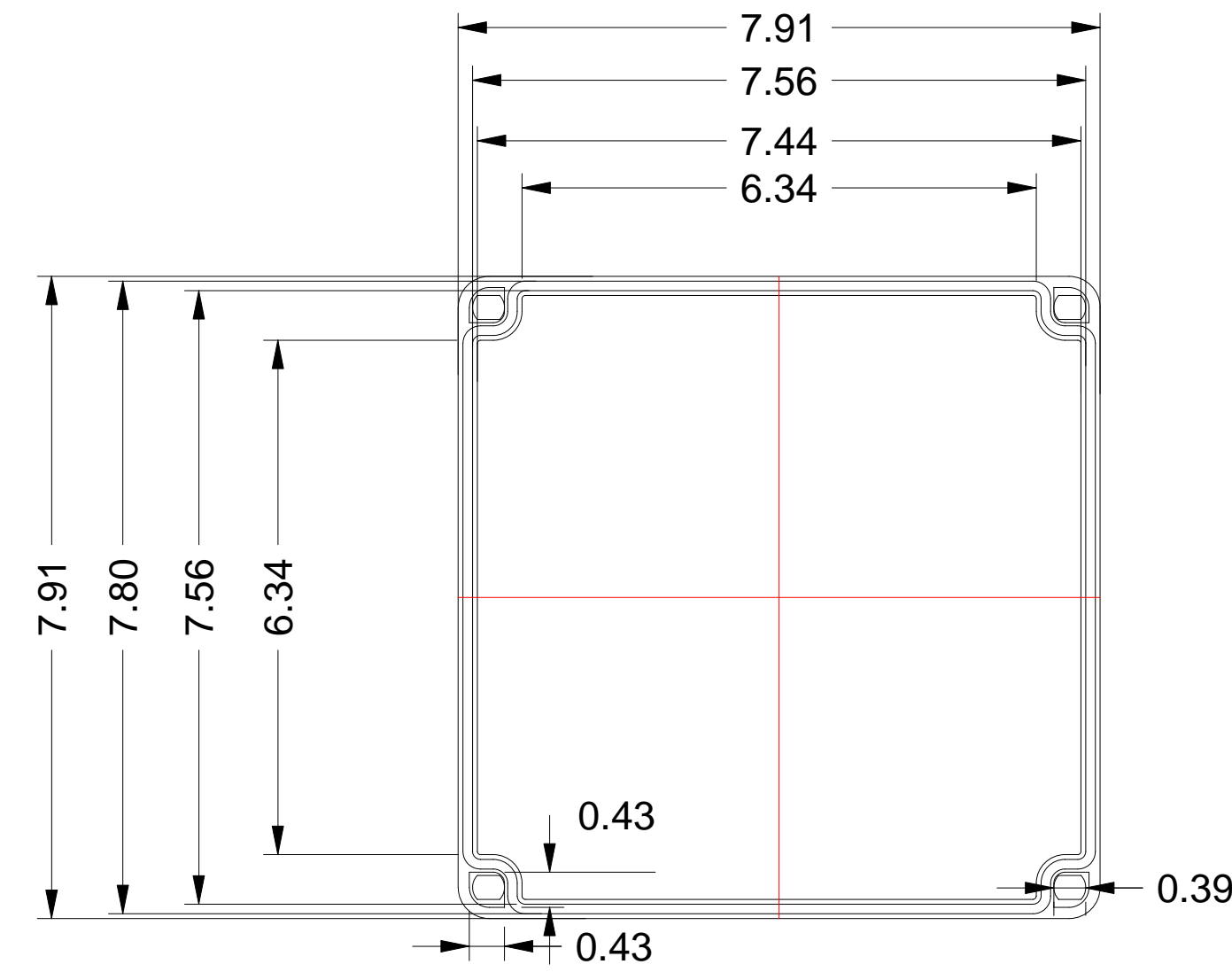


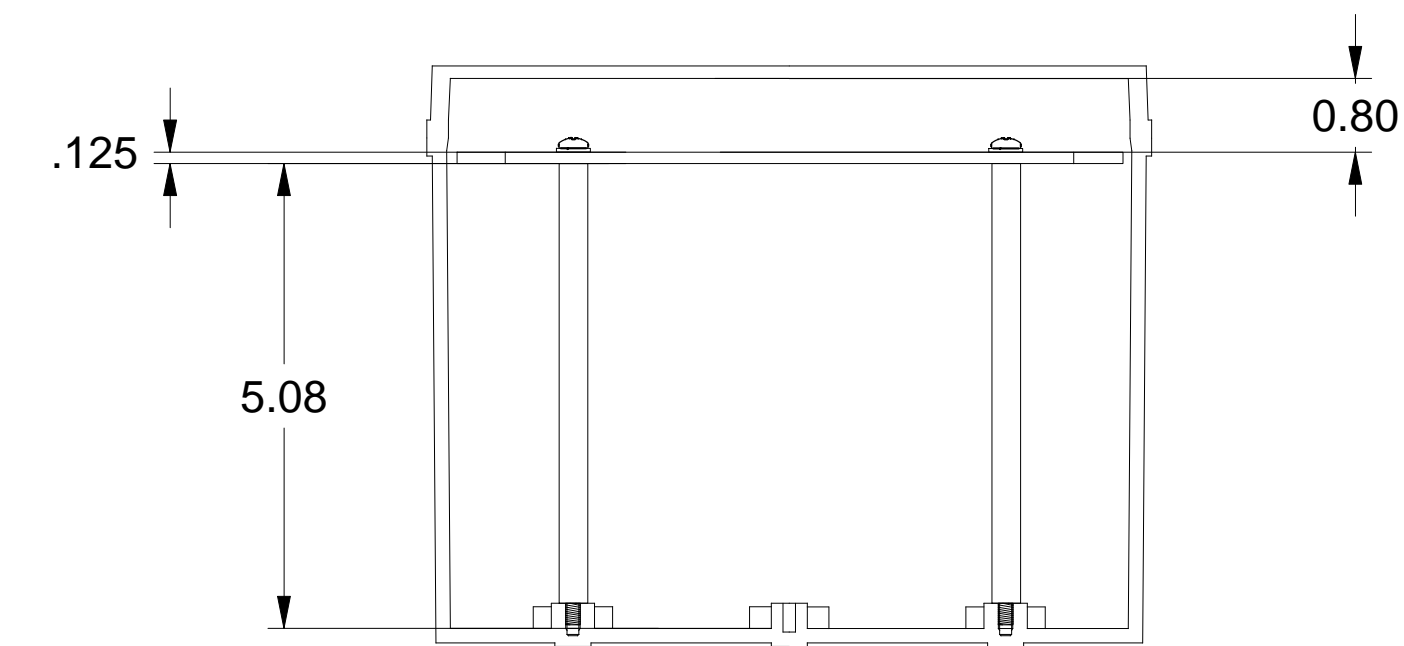
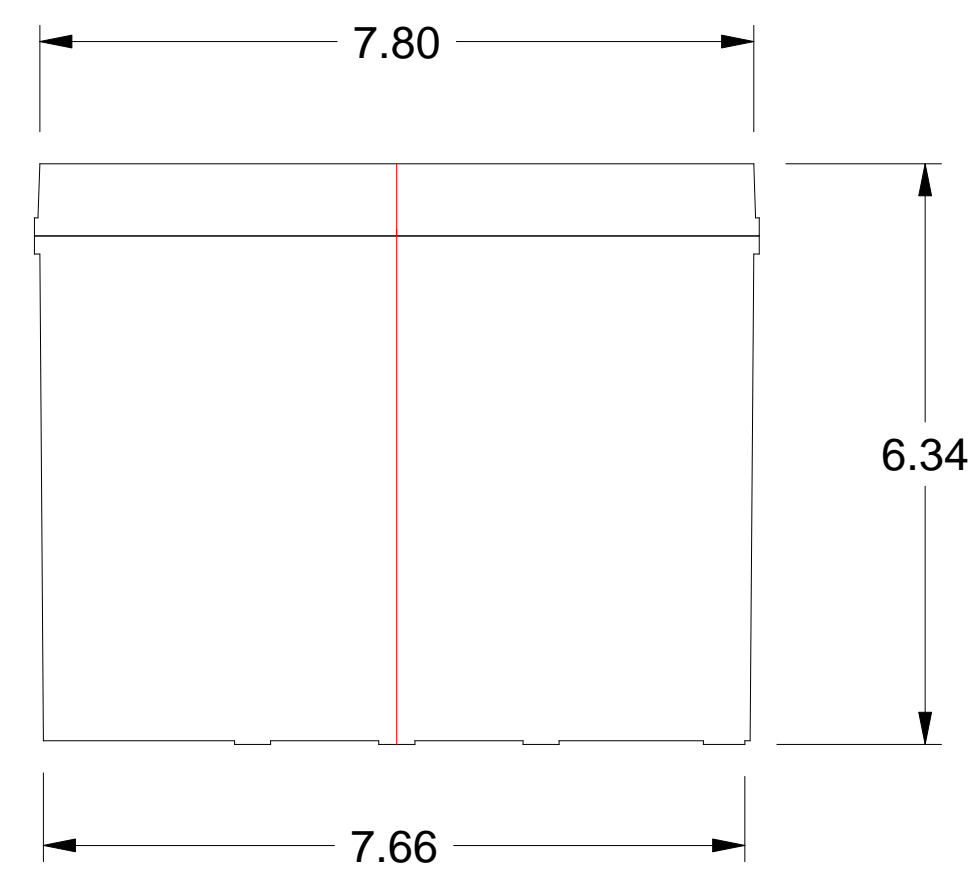
BODY



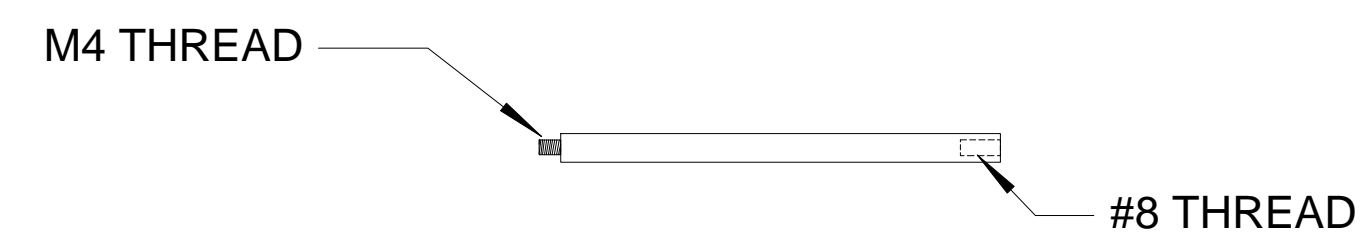
COVER



BOTTOM VIEW



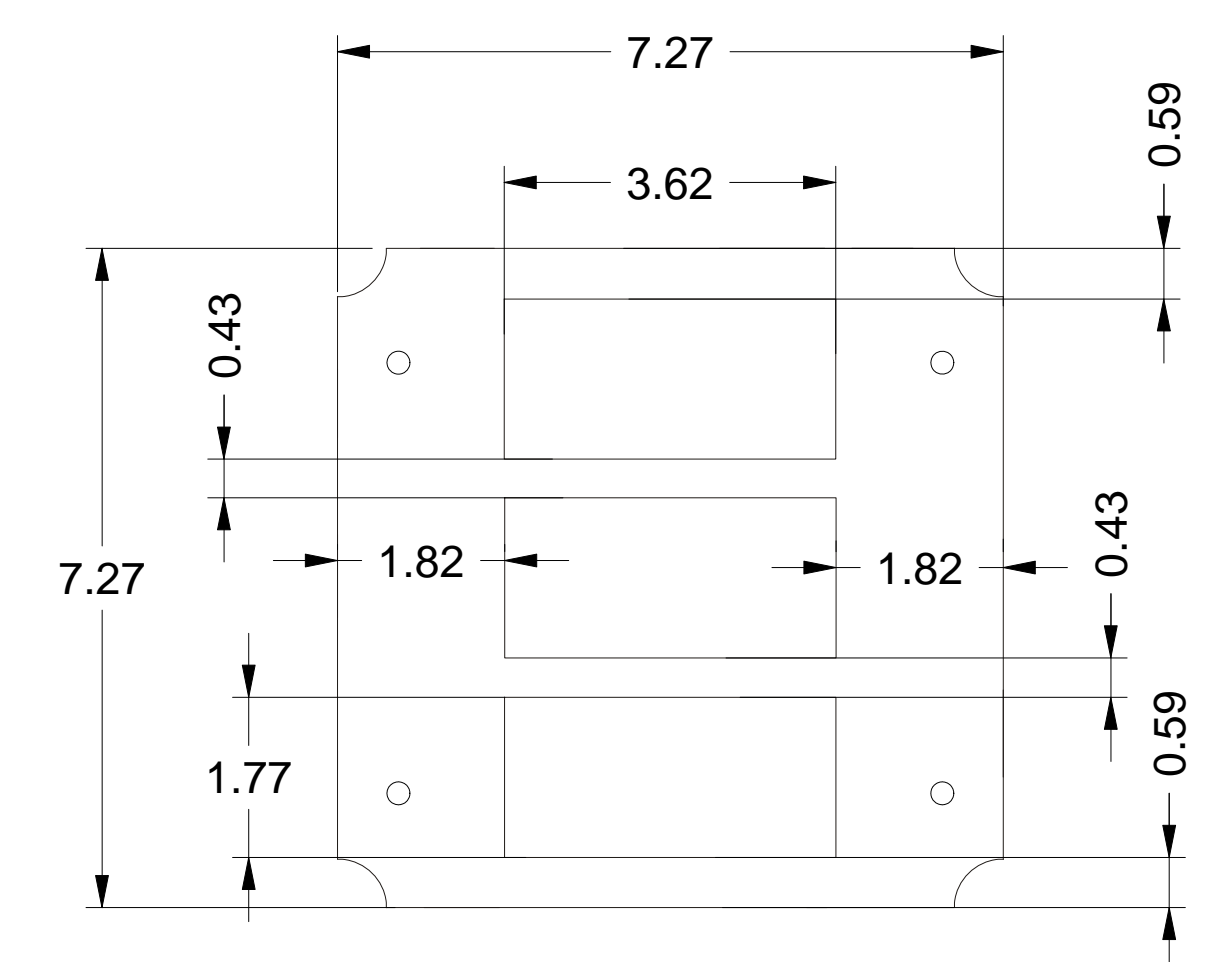
CUT-AWAY SIDE VIEW



STAND-OFF



HARDWARE



MOUNTING PLATE

NOTES: ALL DIMENSIONS SHOWN ARE IN INCHES.
STAND-OFF NOT TO SCALE

PRECISION DIGITAL CORPORATION
HOLLISTON, MASSACHUSETTS 01746

PDA3412 ENCLOSURE
CAD DRAWING FILE

DRAWN
M. Andrews
04/01/14