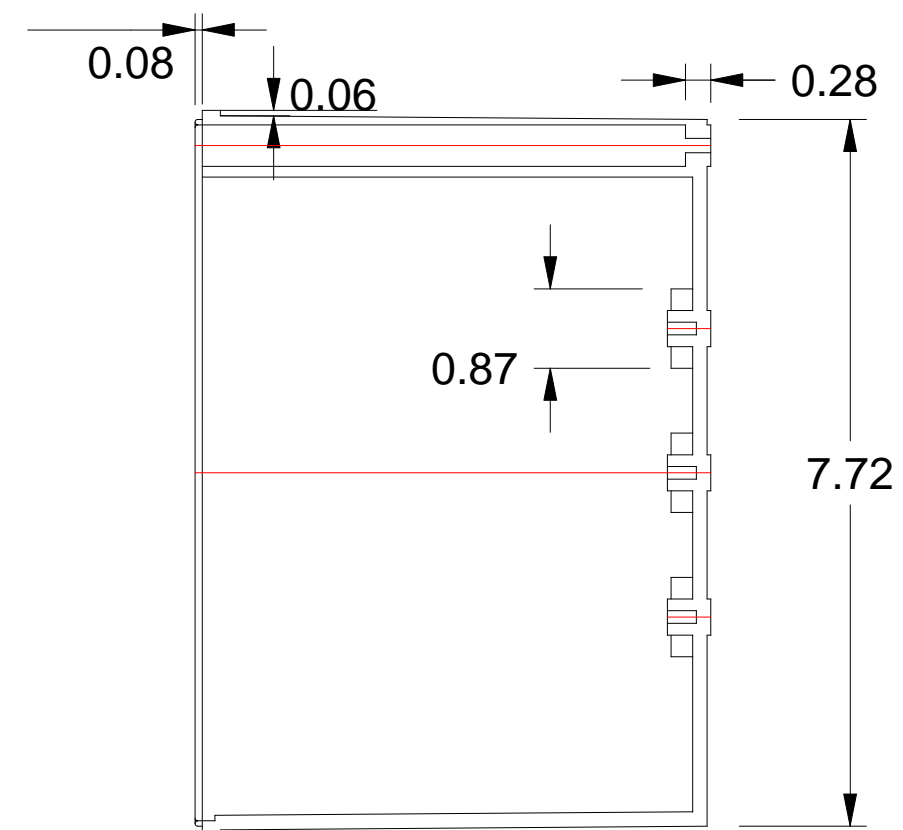
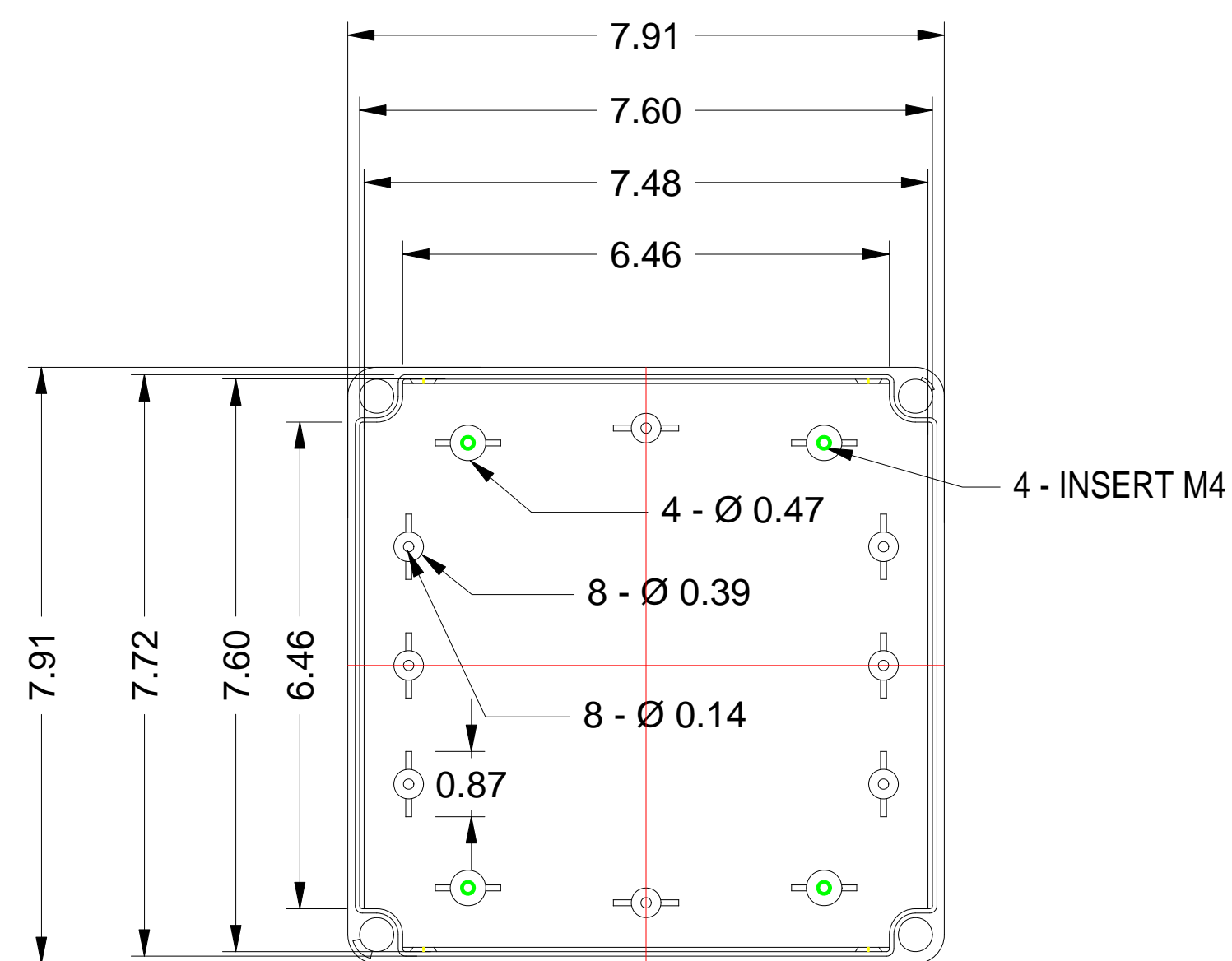
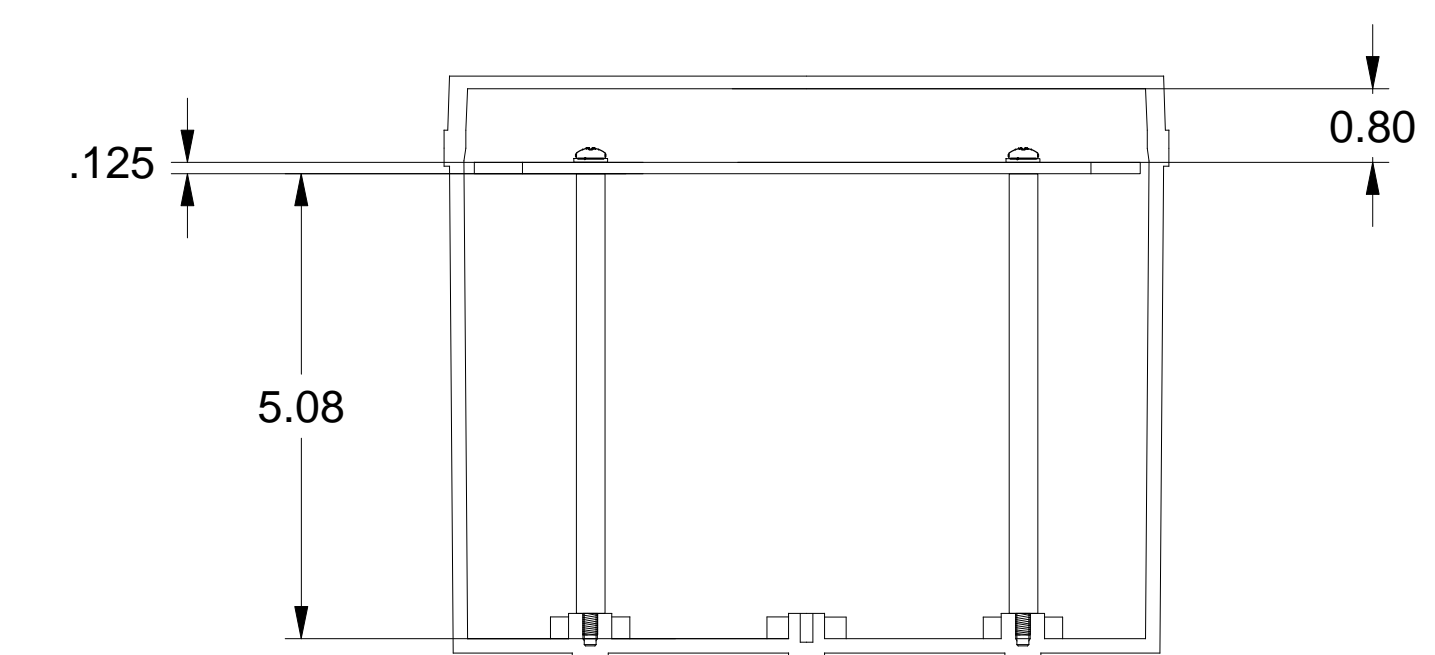
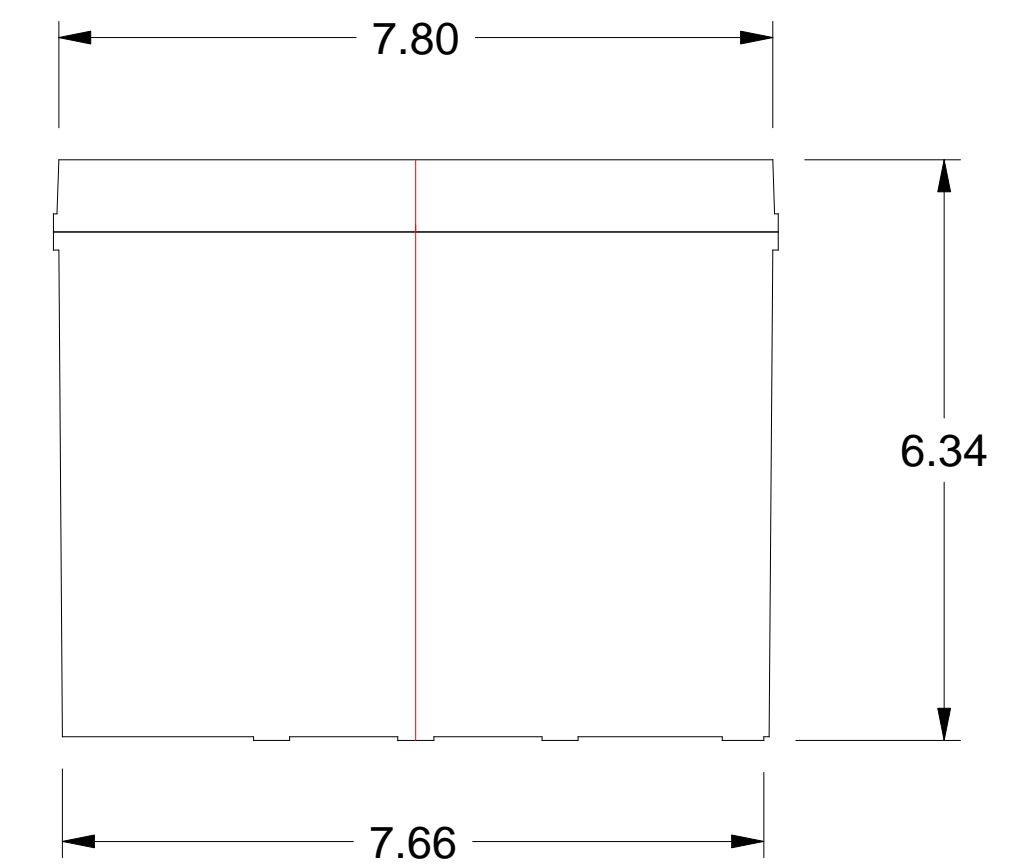
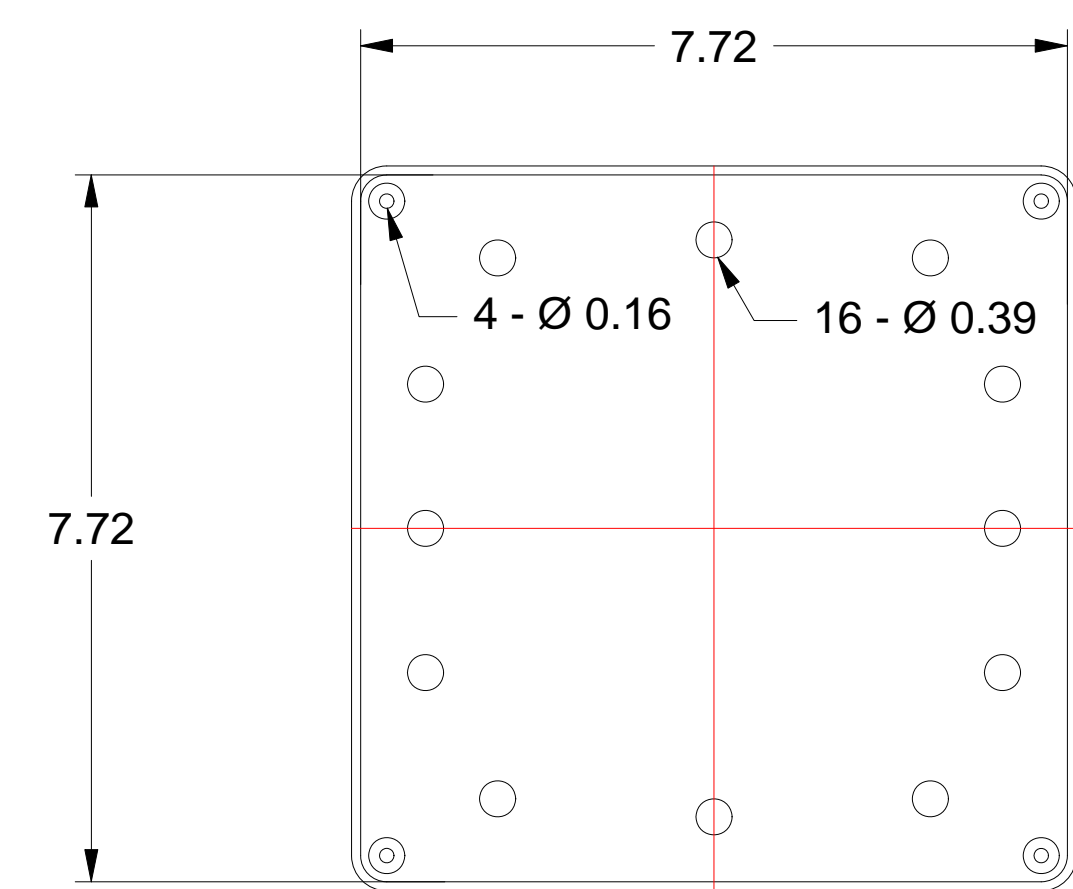
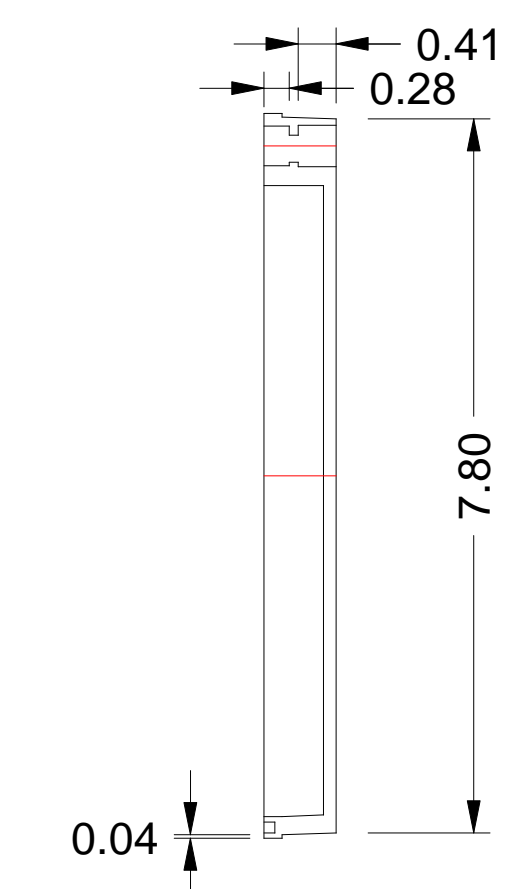
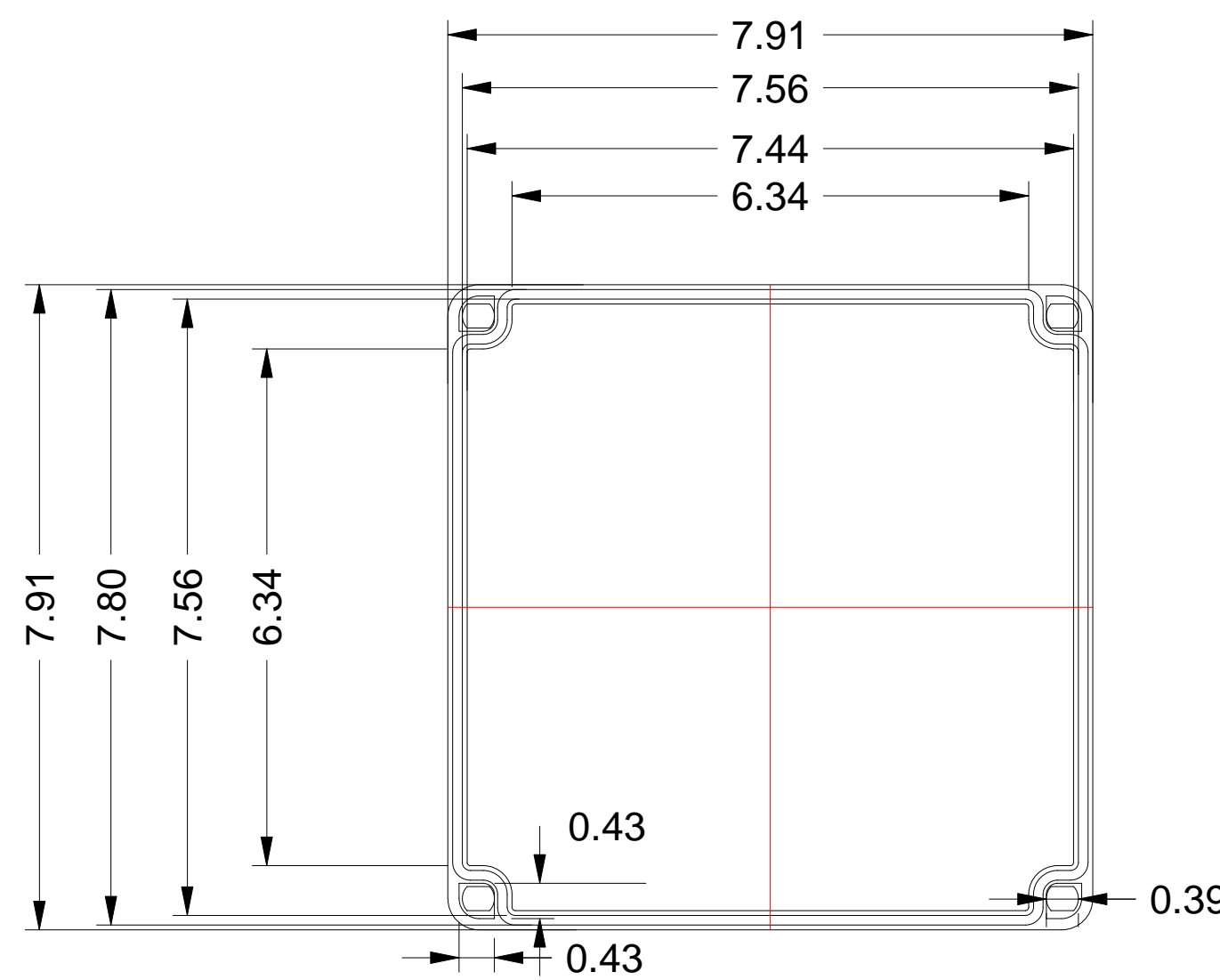


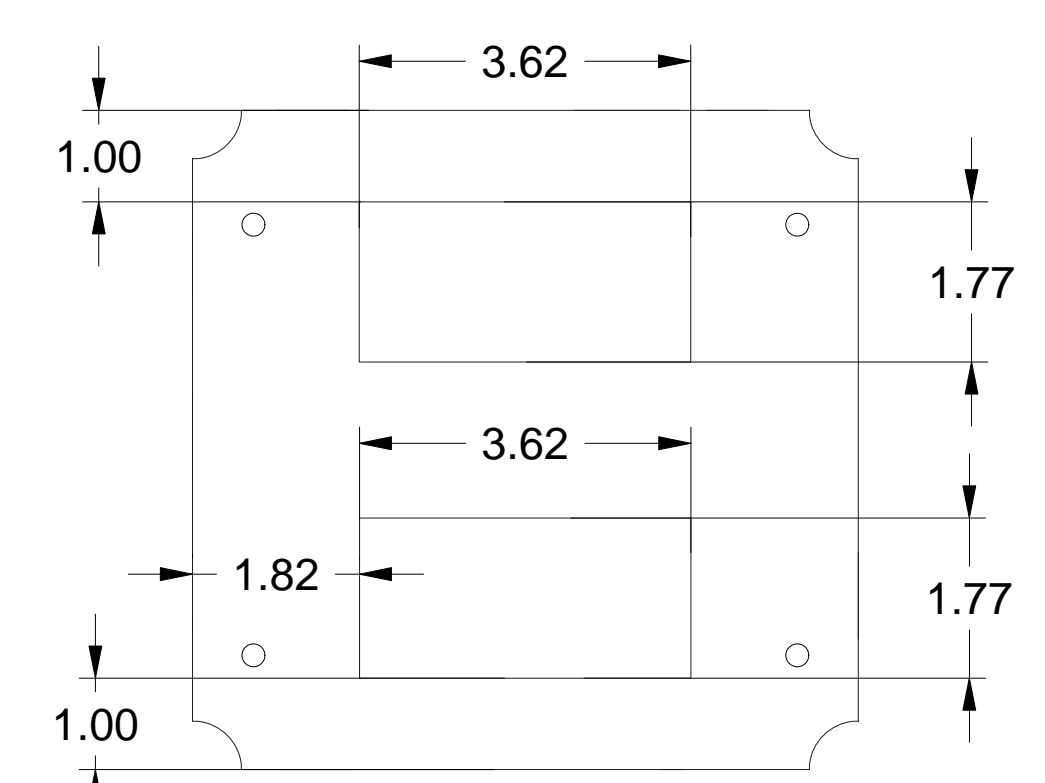
BODY



COVER



CUT-AWAY SIDE VIEW



MOUNTING PLATE



STAND-OFF



HARDWARE

BOTTOM VIEW

NOTES: ALL DIMENSIONS SHOWN ARE IN INCHES.

DRAWN
M. Andrews
04/01/14

PRECISION DIGITAL CORPORATION
HOLLISTON, MASSACHUSETTS 01746

PDA3411 ENCLOSURE
CAD DRAWING FILE