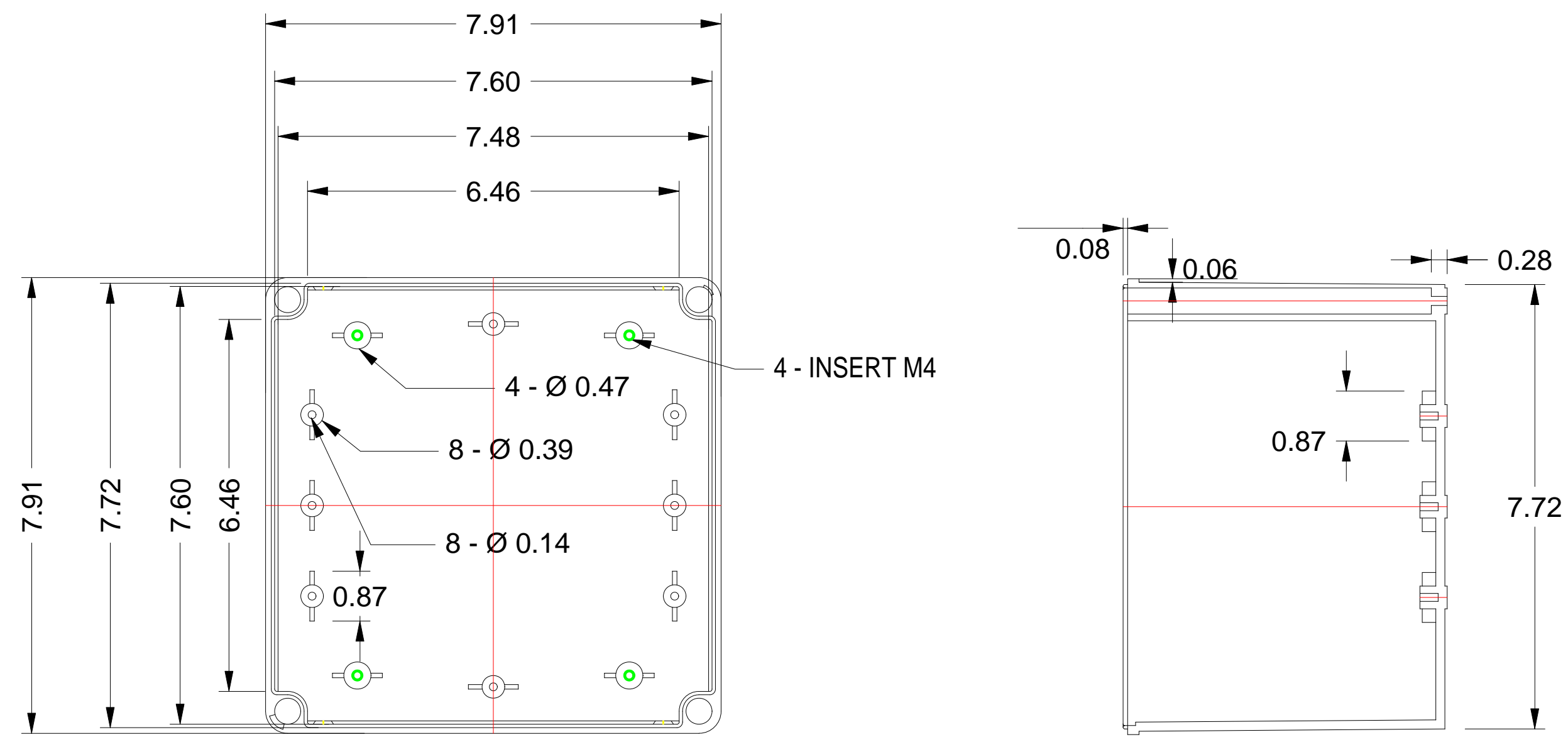
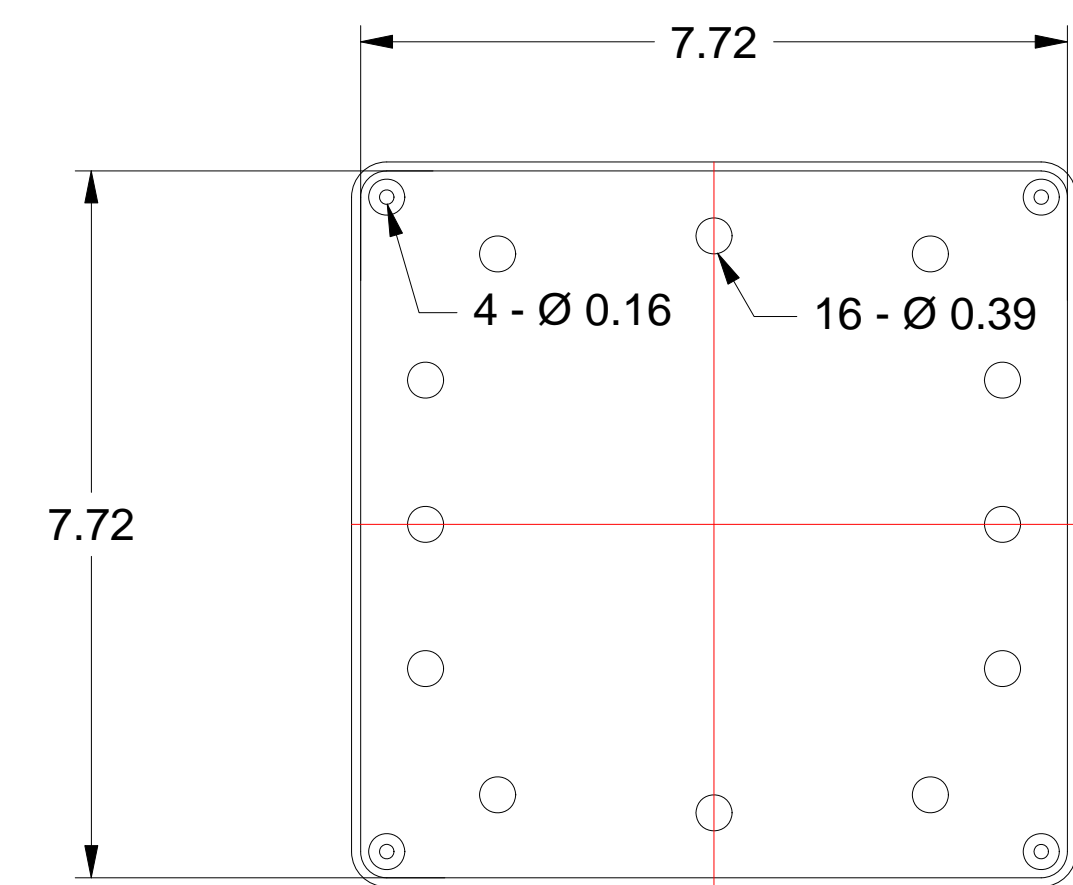
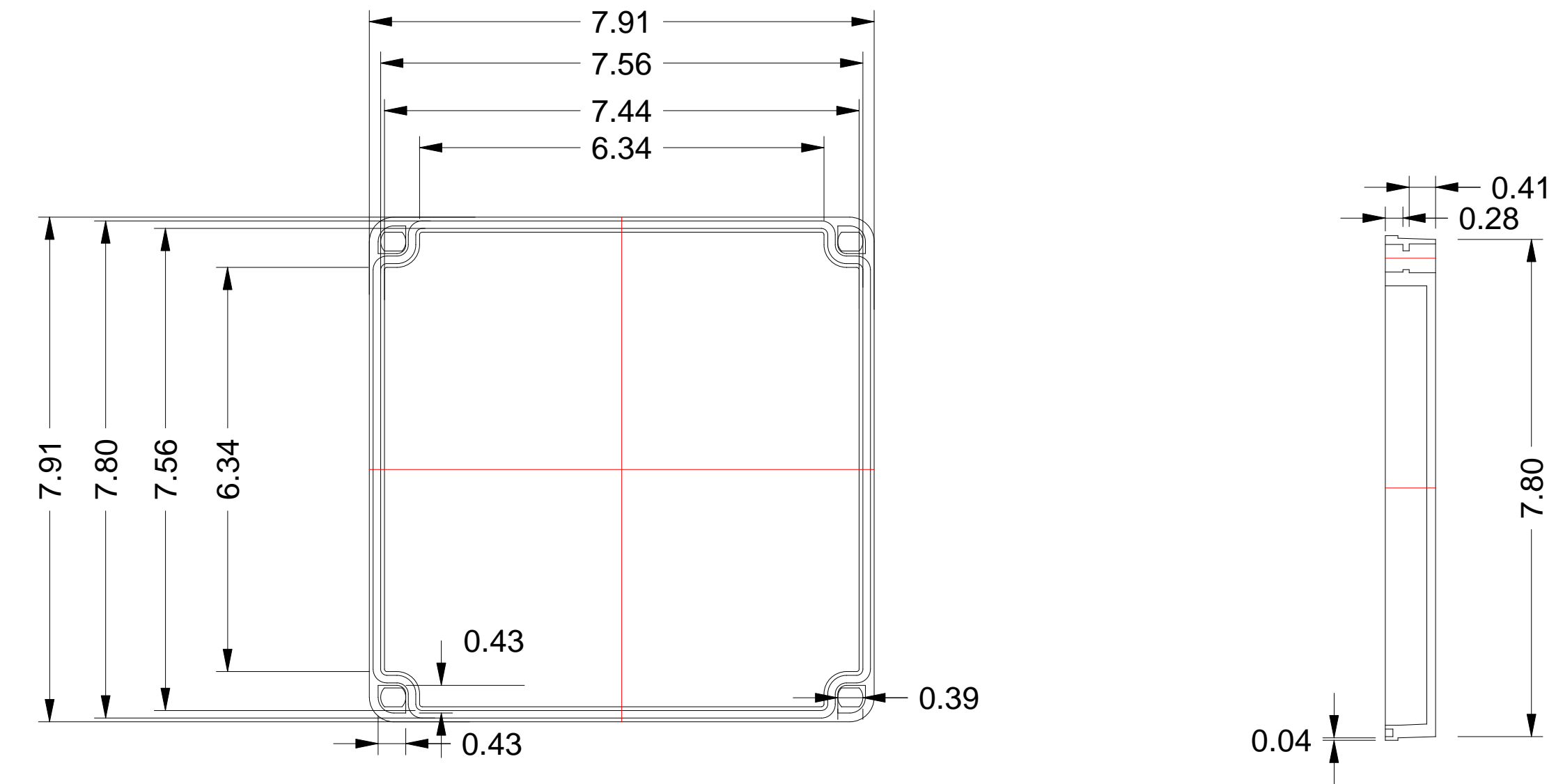


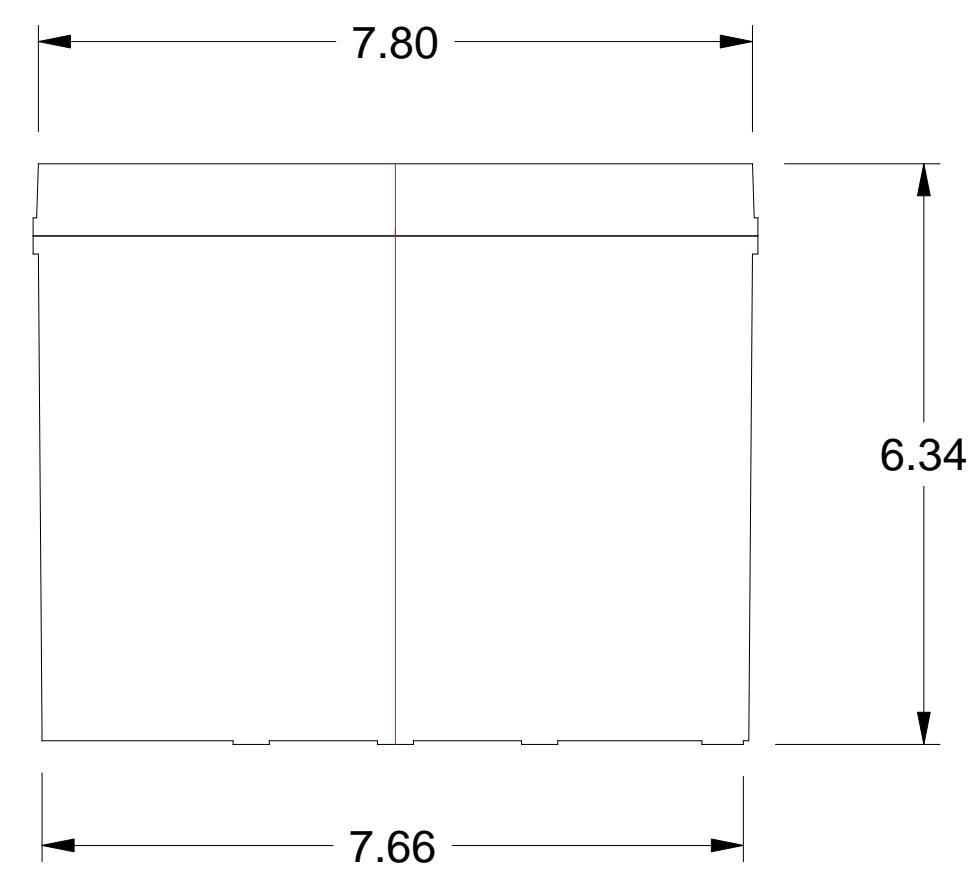
BODY



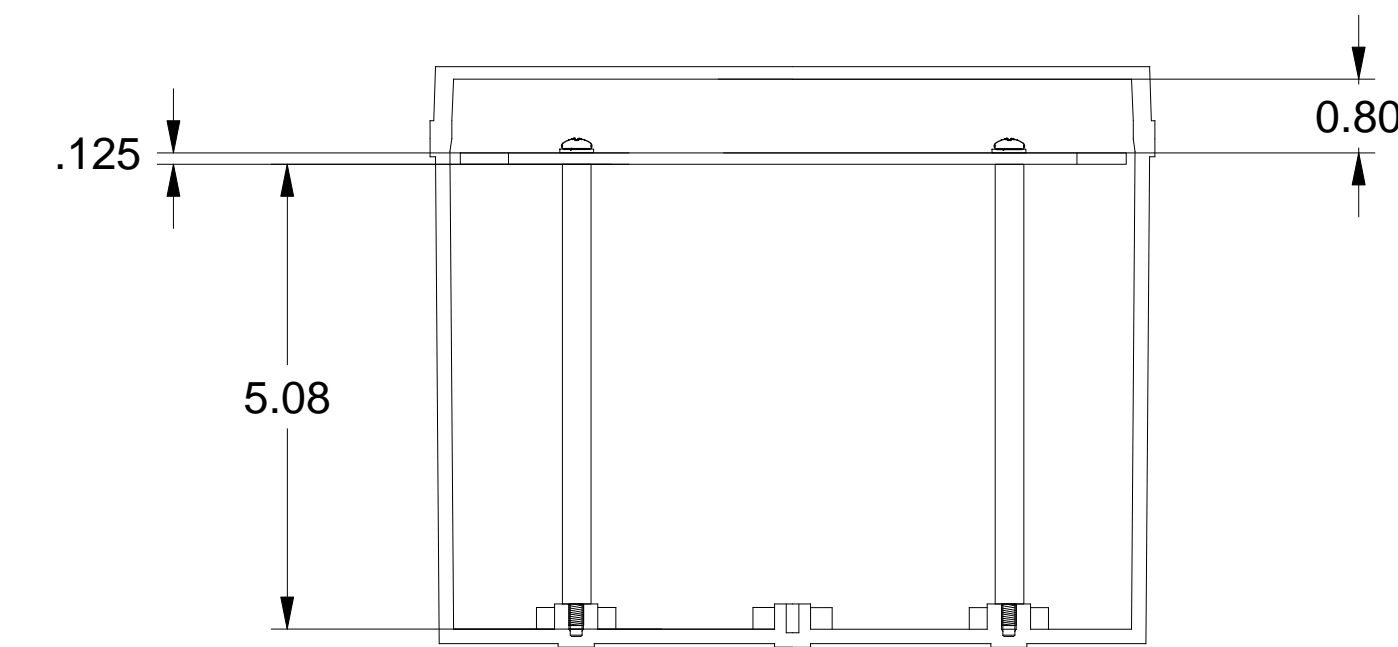
COVER



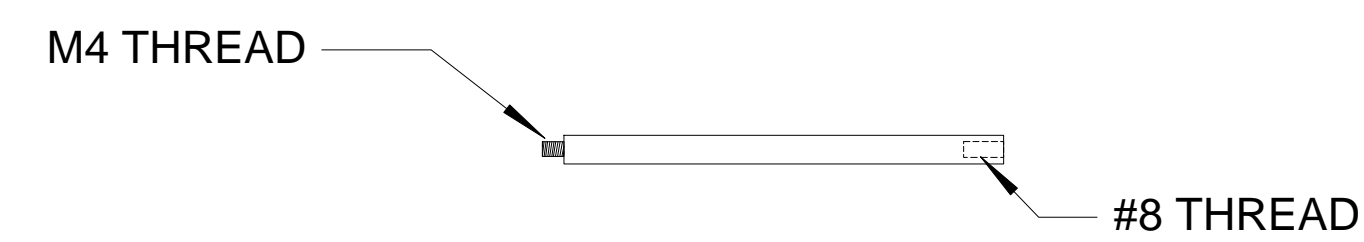
BOTTOM VIEW



ASSEMBLED SIDE VIEW



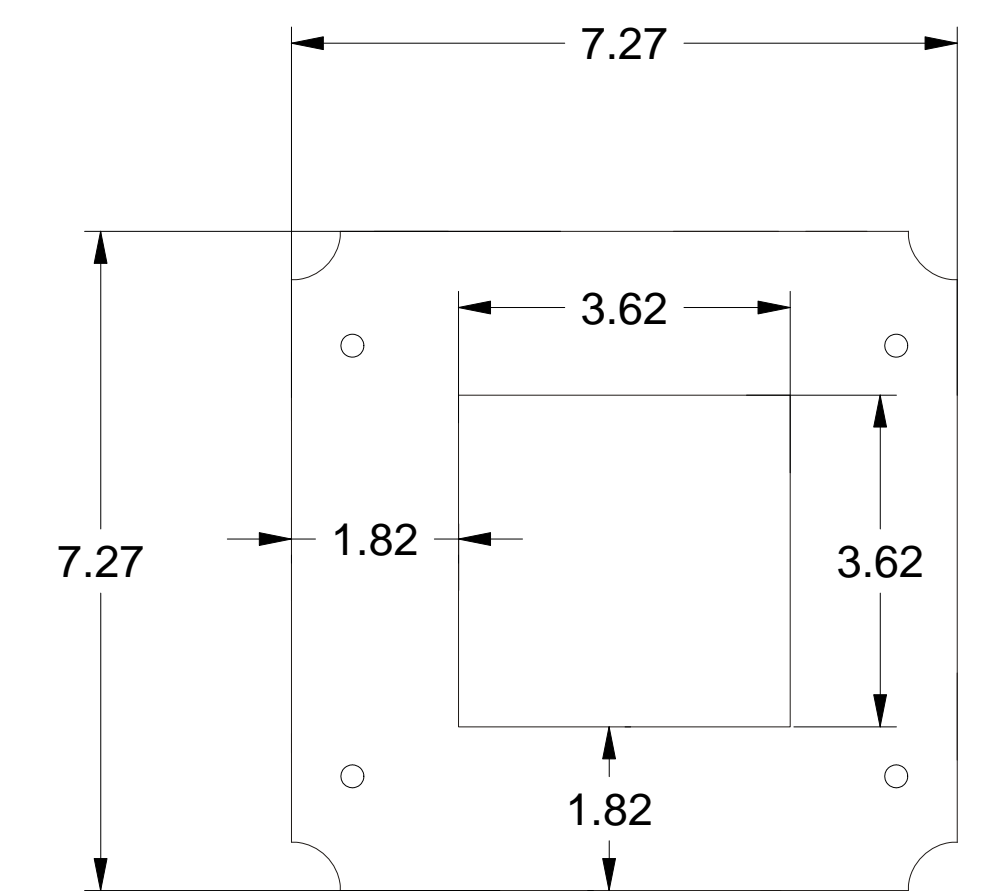
CUT-AWAY SIDE VIEW



STAND-OFF



HARDWARE



MOUNTING PLATE

NOTES: ALL DIMENSIONS SHOWN ARE IN INCHES.

DRAWN

M. Andrews
04/01/14

PRECISION DIGITAL CORPORATION
HOLLISTON, MASSACHUSETTS 01746

**PDA3408 ENCLOSURE
CAD DRAWING FILE**

SCALE 1:2 SIZE D (34 x 22) SHEET 1 OF 1