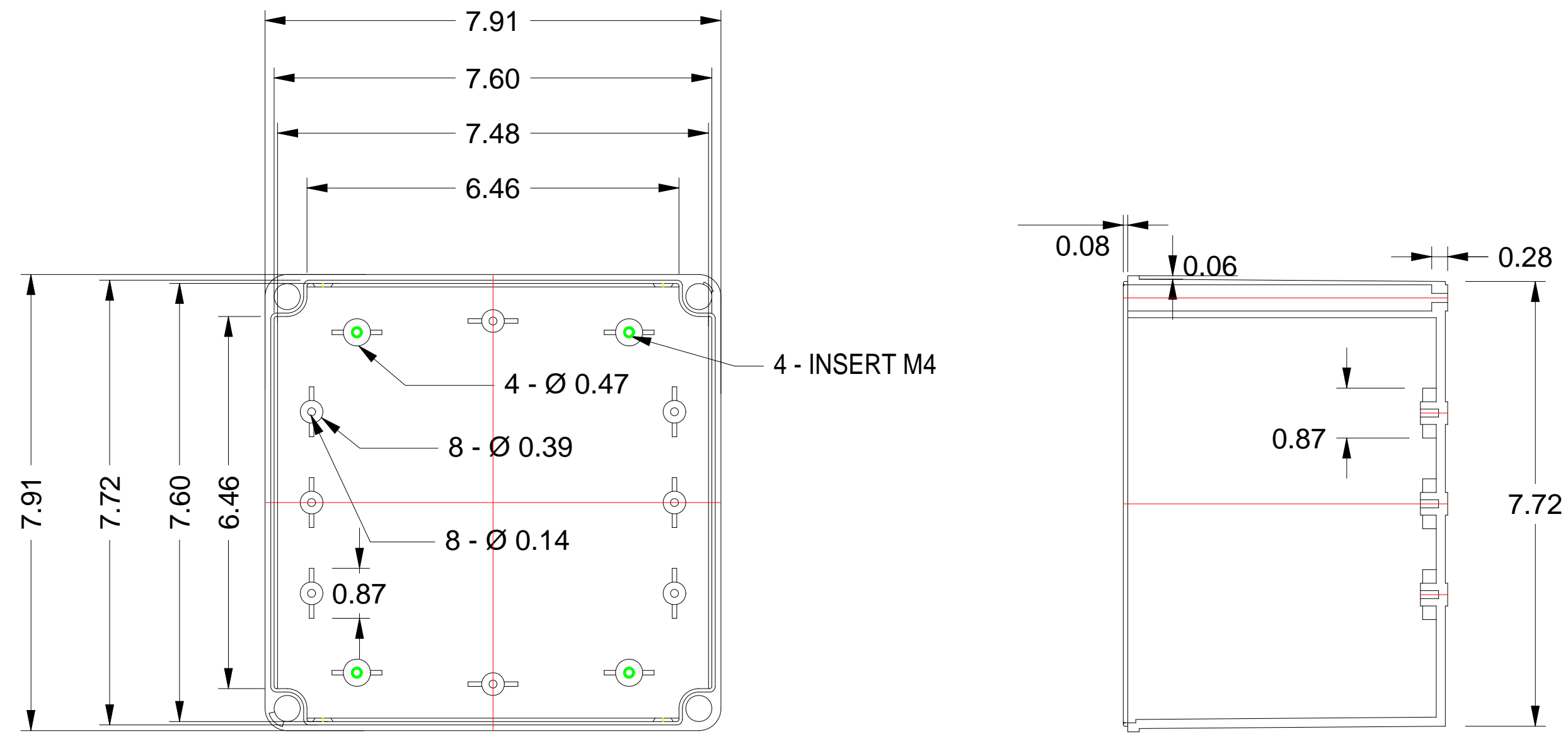
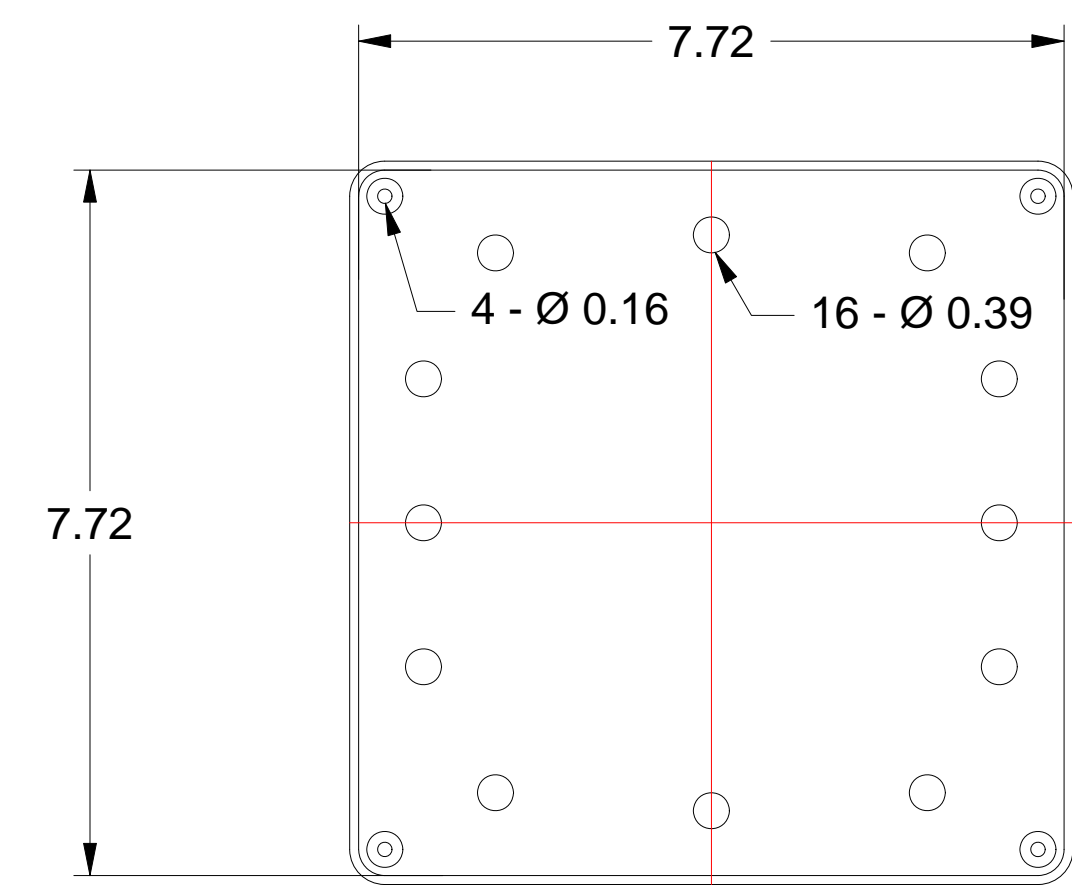
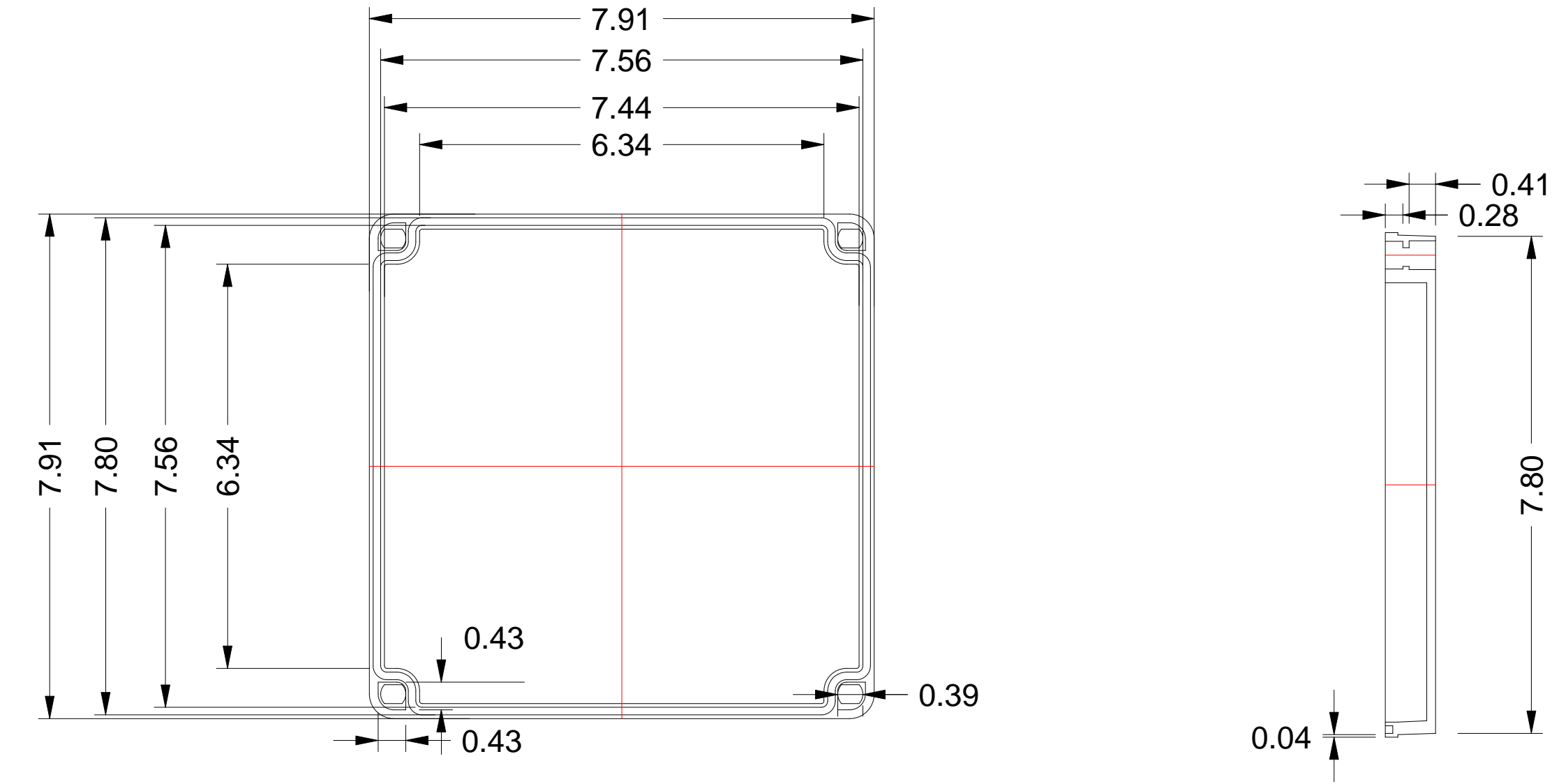


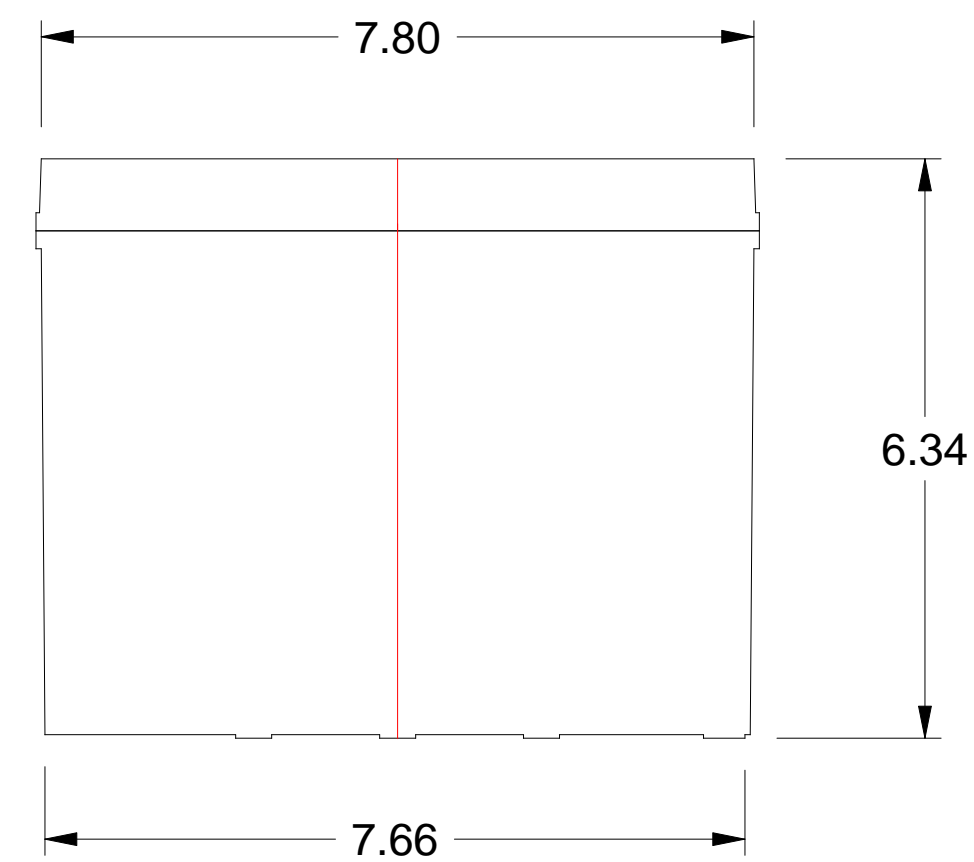
**BODY**



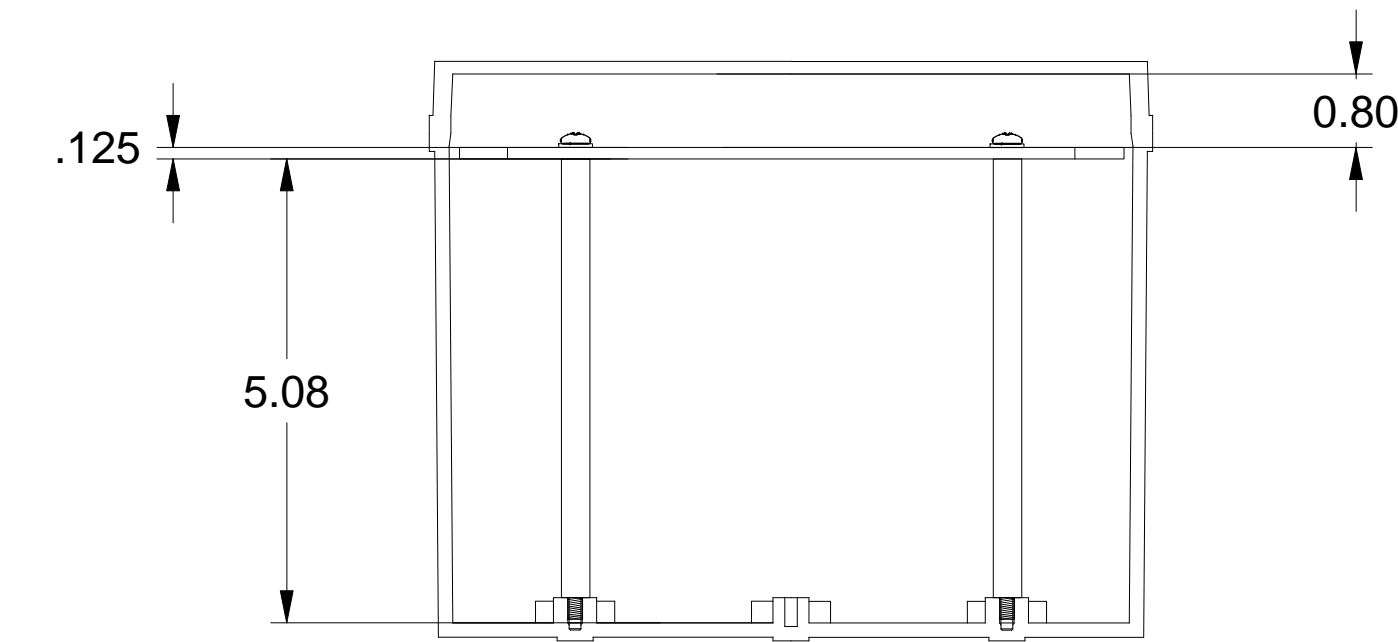
**COVER**



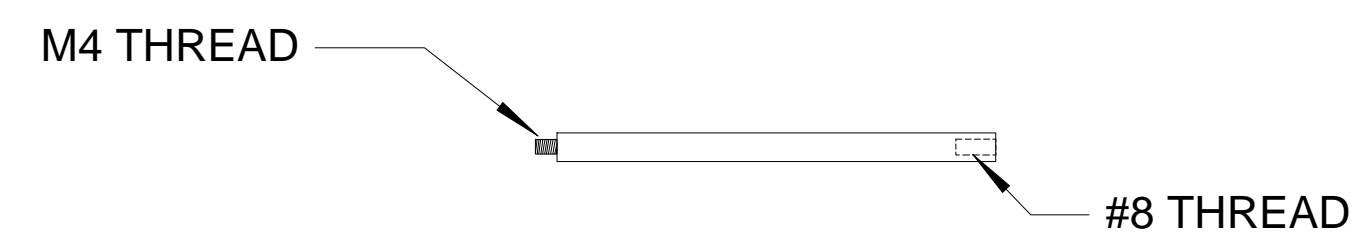
**BOTTOM VIEW**



**ASSEMBLED SIDE VIEW**



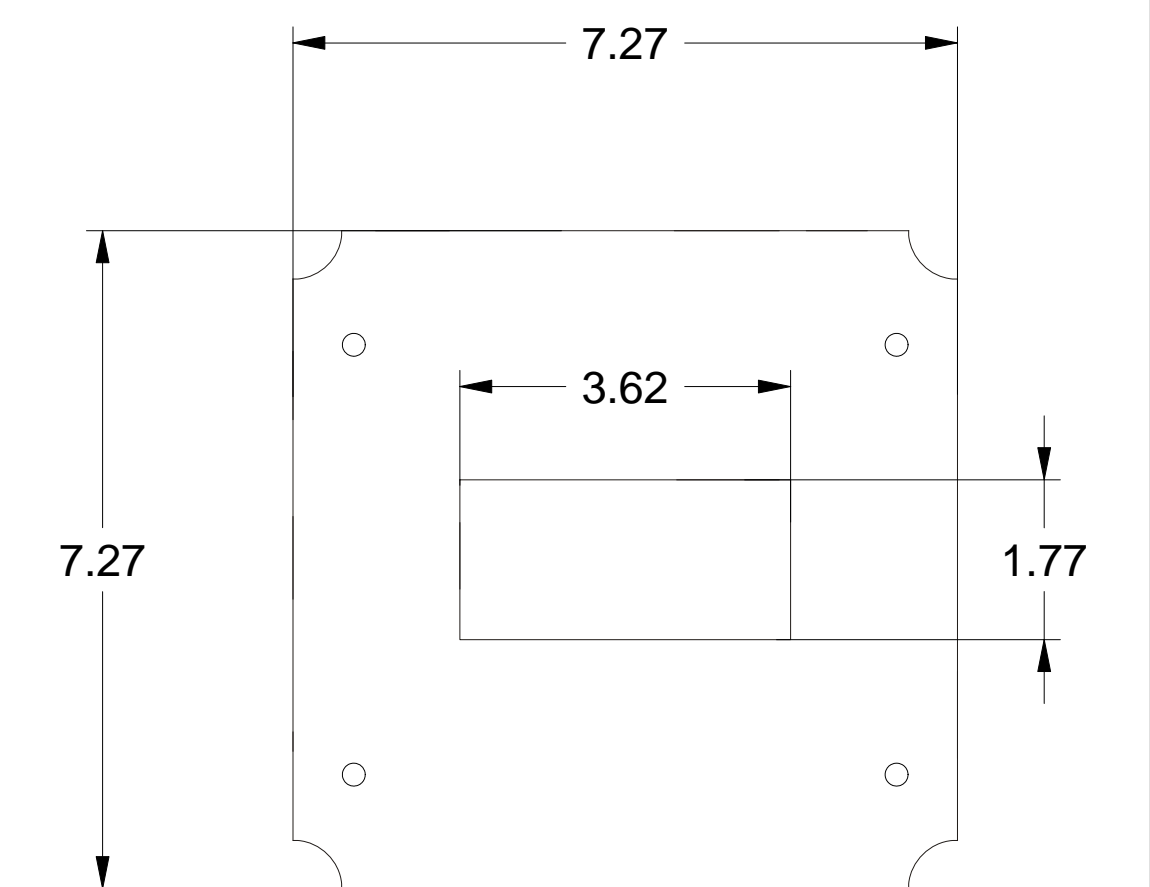
**CUT-AWAY SIDE VIEW**



**STAND-OFF**



**HARDWARE**



**MOUNTING PLATE**

NOTES: ALL DIMENSIONS SHOWN ARE IN INCHES.

**PRECISION DIGITAL CORPORATION**  
HOLLISTON, MASSACHUSETTS 01746

DRAWN  
M. Andrews  
04/01/14

**PDA3407 ENCLOSURE  
CAD DRAWING FILE**

SCALE 1:2 | SIZE D (34 x 22) | SHEET 1 OF 1