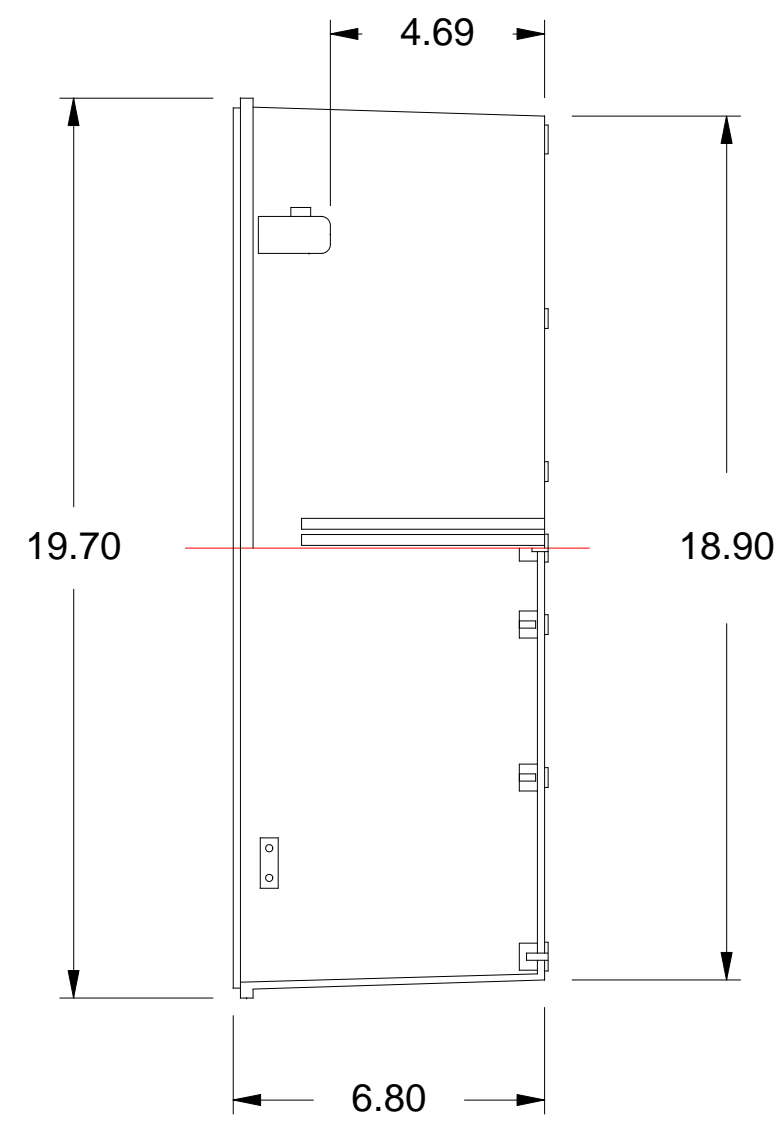
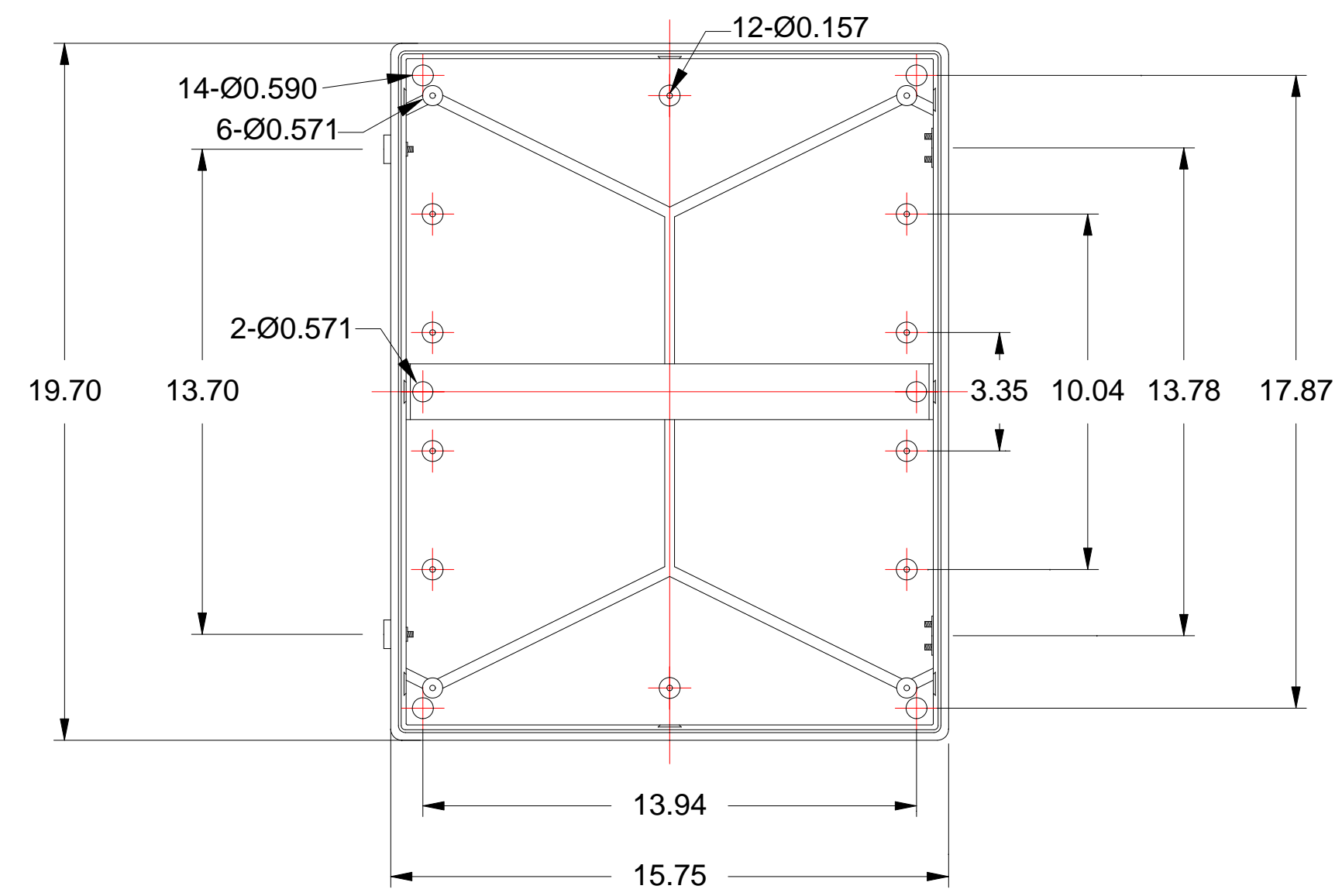
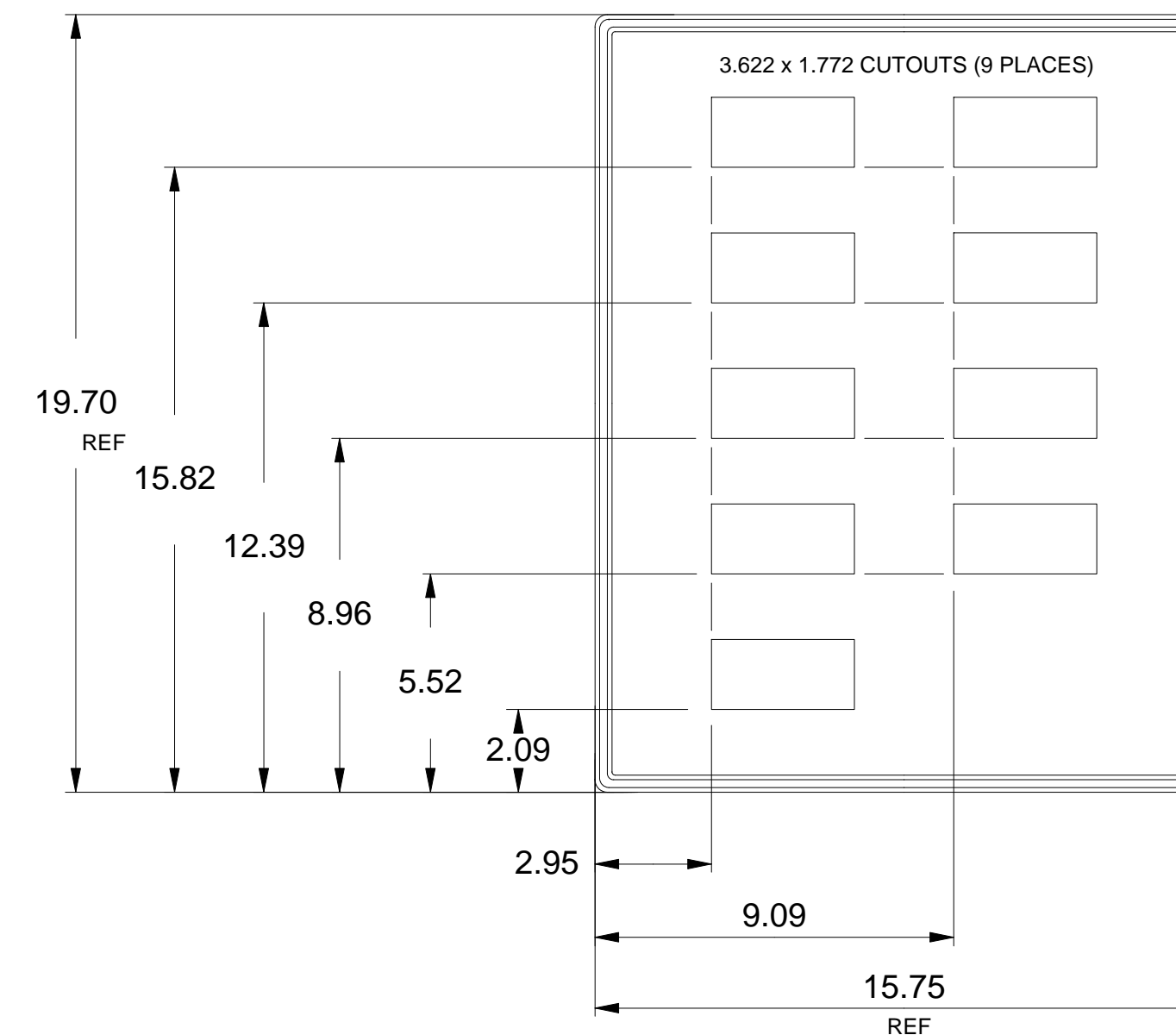
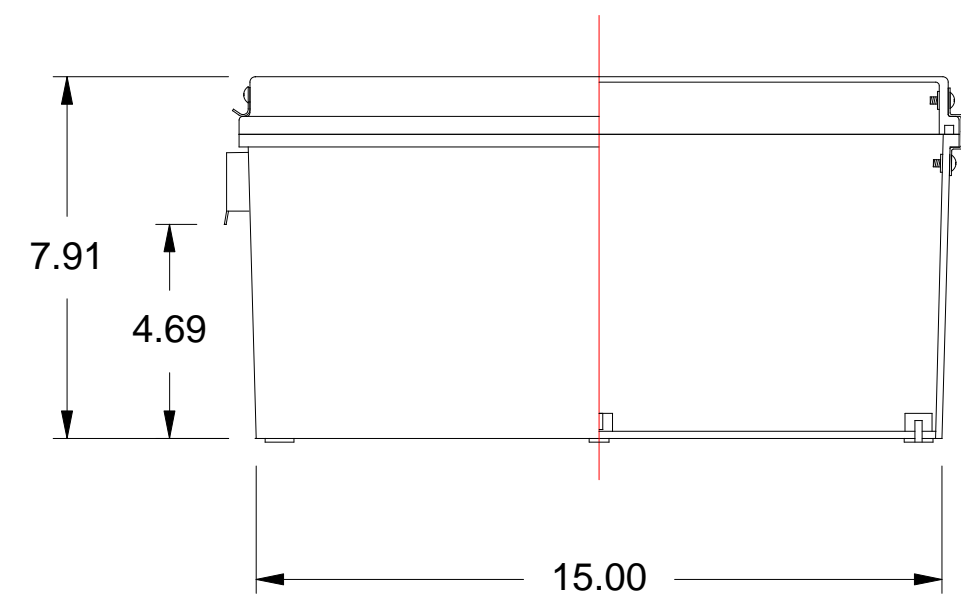
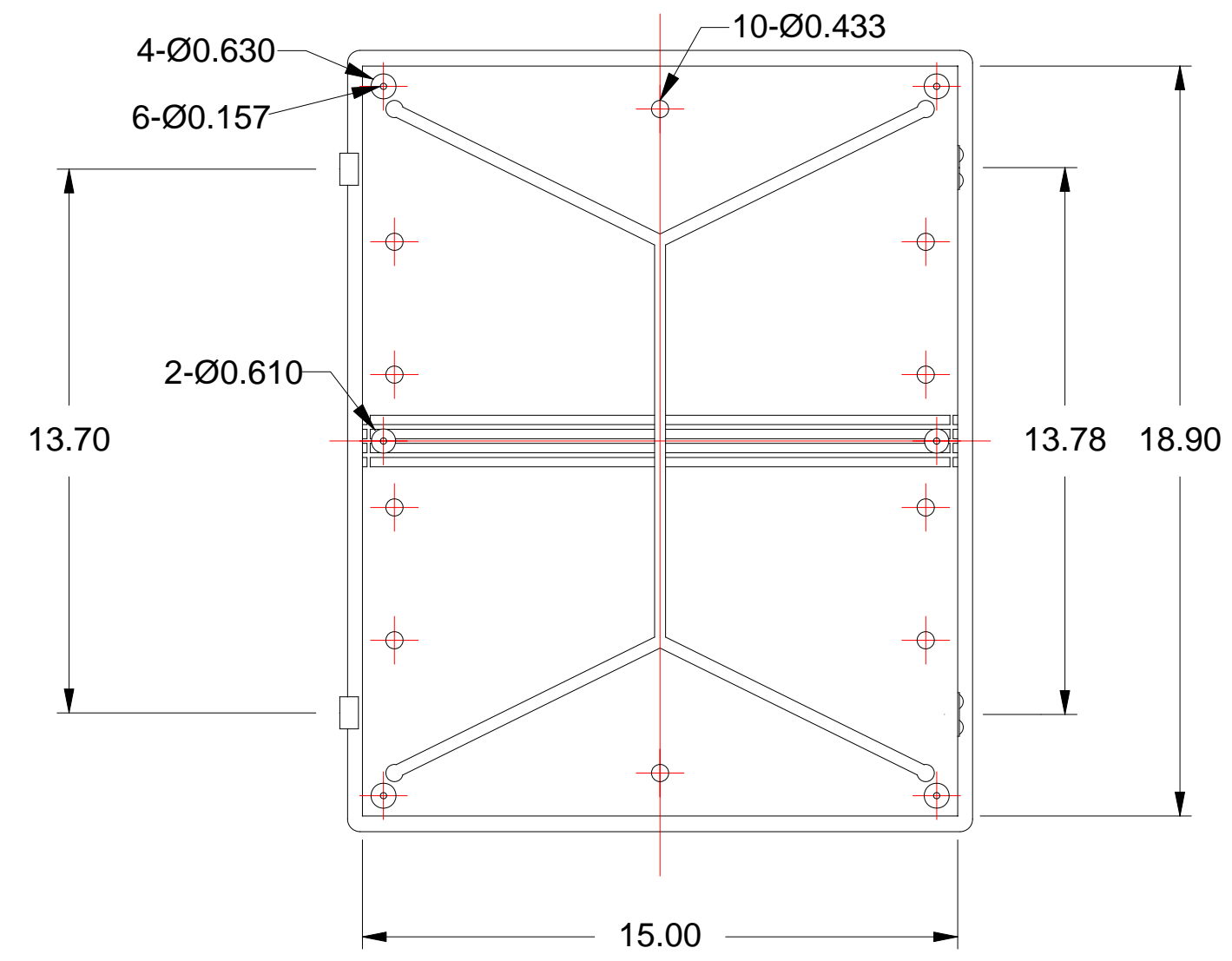
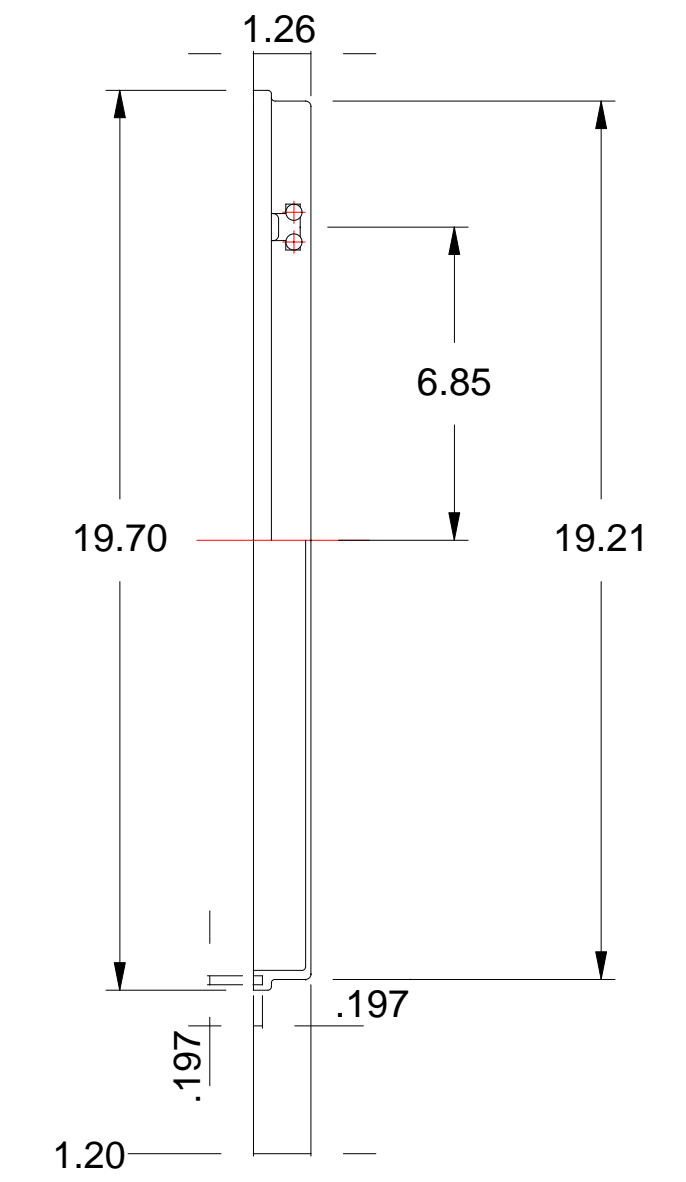
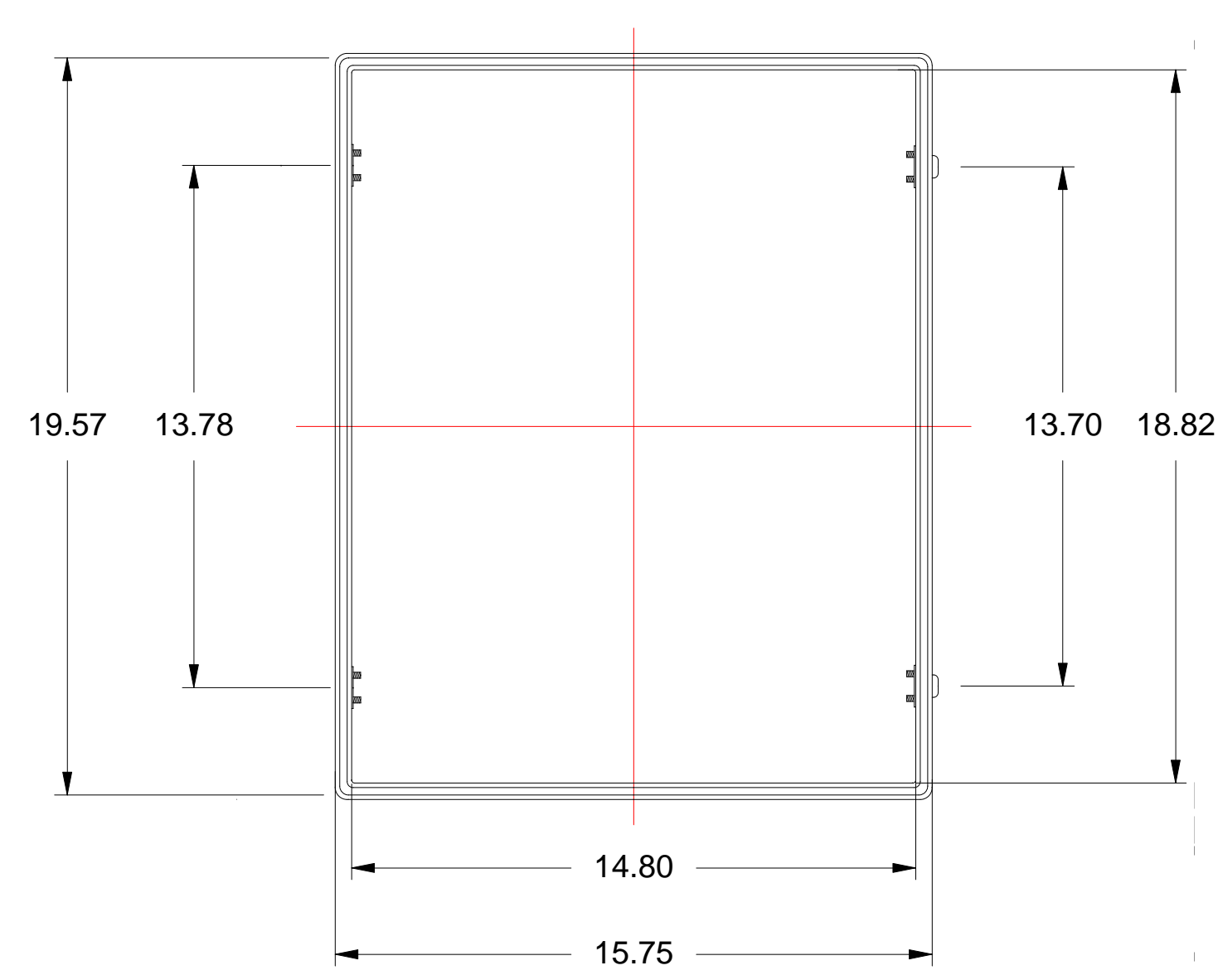


**BODY**



**COVER**



**BOTTOM VIEW**

NOTE: ALL DIMENSIONS SHOWN ARE IN INCHES.

**PRECISION DIGITAL CORPORATION**  
HOLLISTON, MASSACHUSETTS 01746

DRAWN  
V. Ciampolillo  
05/29/09

**PDA2309 ENCLOSURE**  
**CAD DRAWING FILE**