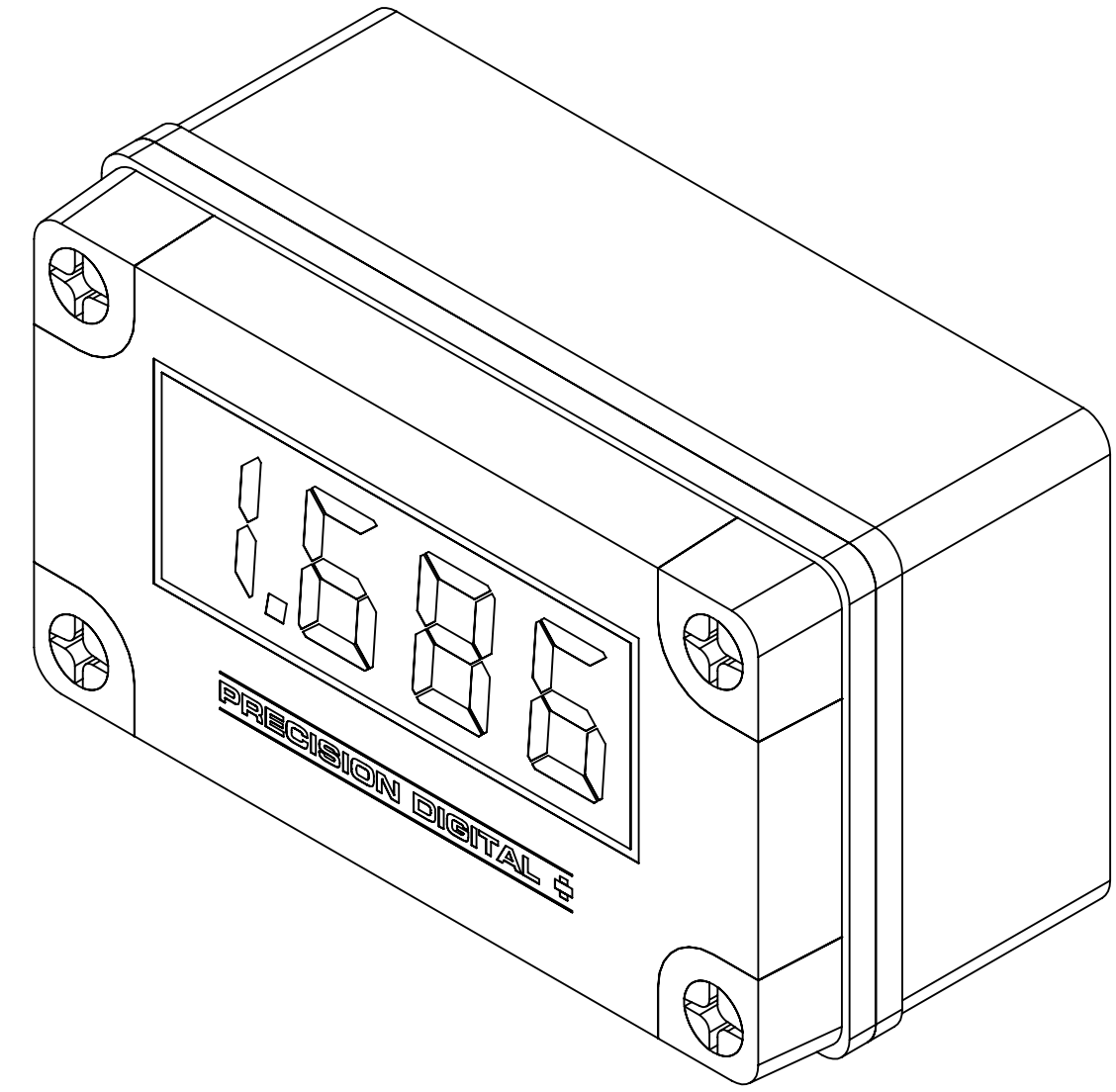
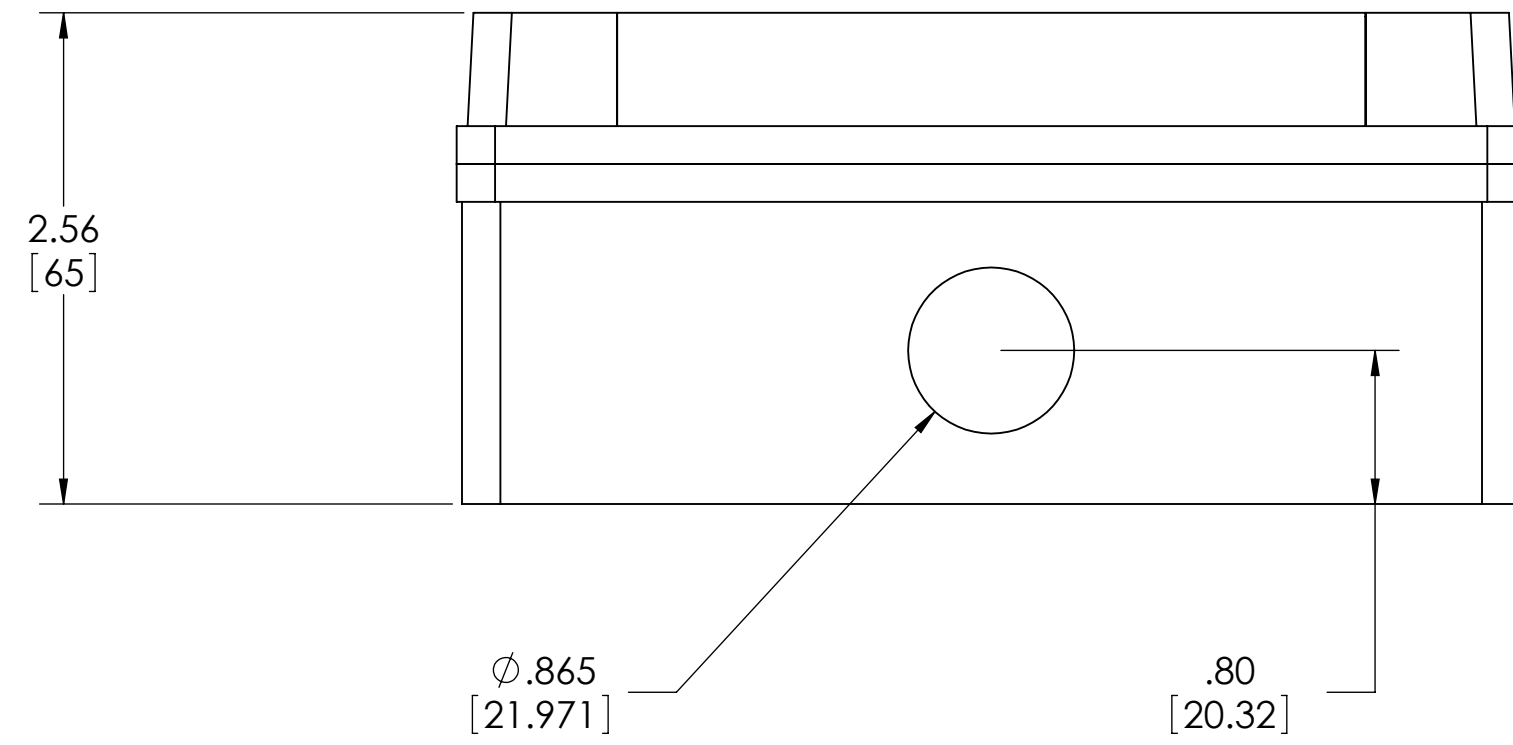
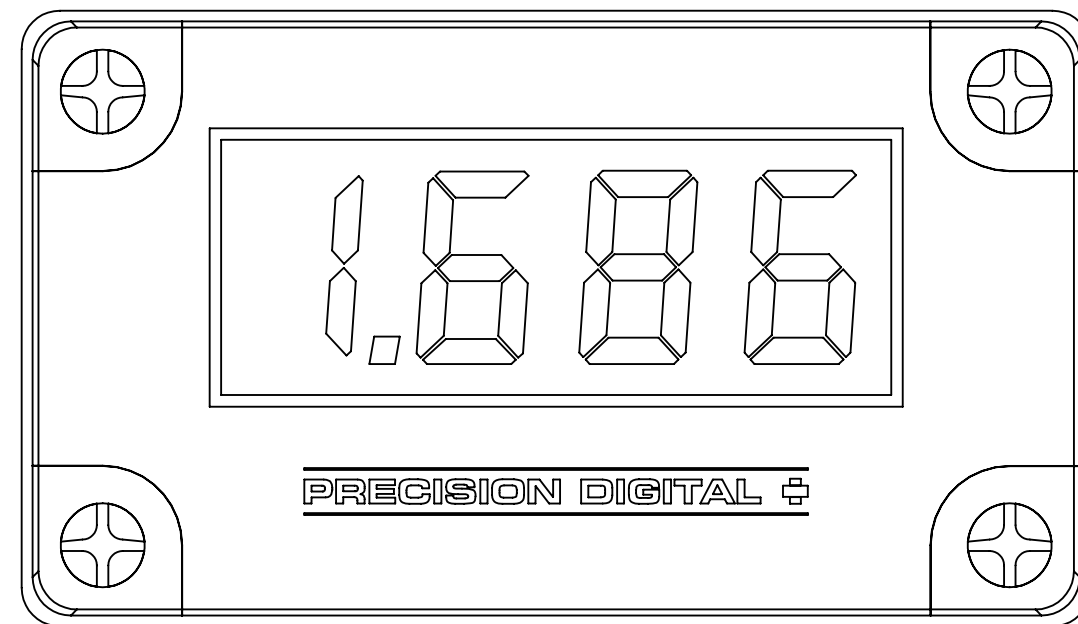


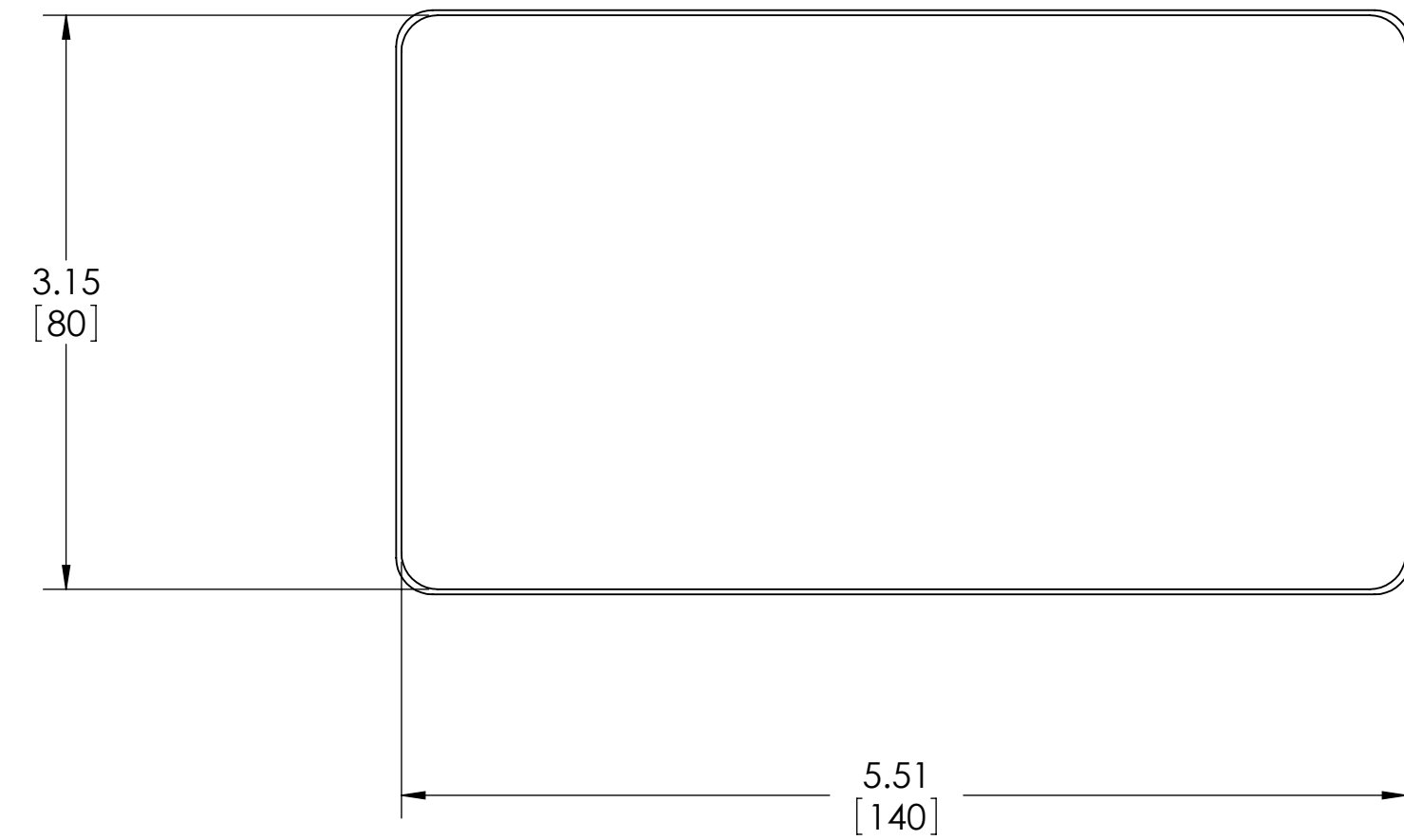
BOTTOM VIEW



FRONT VIEW



REAR VIEW



NOTES:

1. DIMENSIONS ARE IN INCHES [mm].
2. PD686 IS SHOWN.
3. CAN BE WALL, PANEL, CONDUIT, OR 2" PIPE MOUNTED.

**PRECISION DIGITAL CORPORATION**  
HOLLISTON, MASSACHUSETTS 01746

DRAWN  
M. ANDREWS  
11/05/2013

**PD686 SERIES**  
NEMA 4X  
LOOP POWERED METER