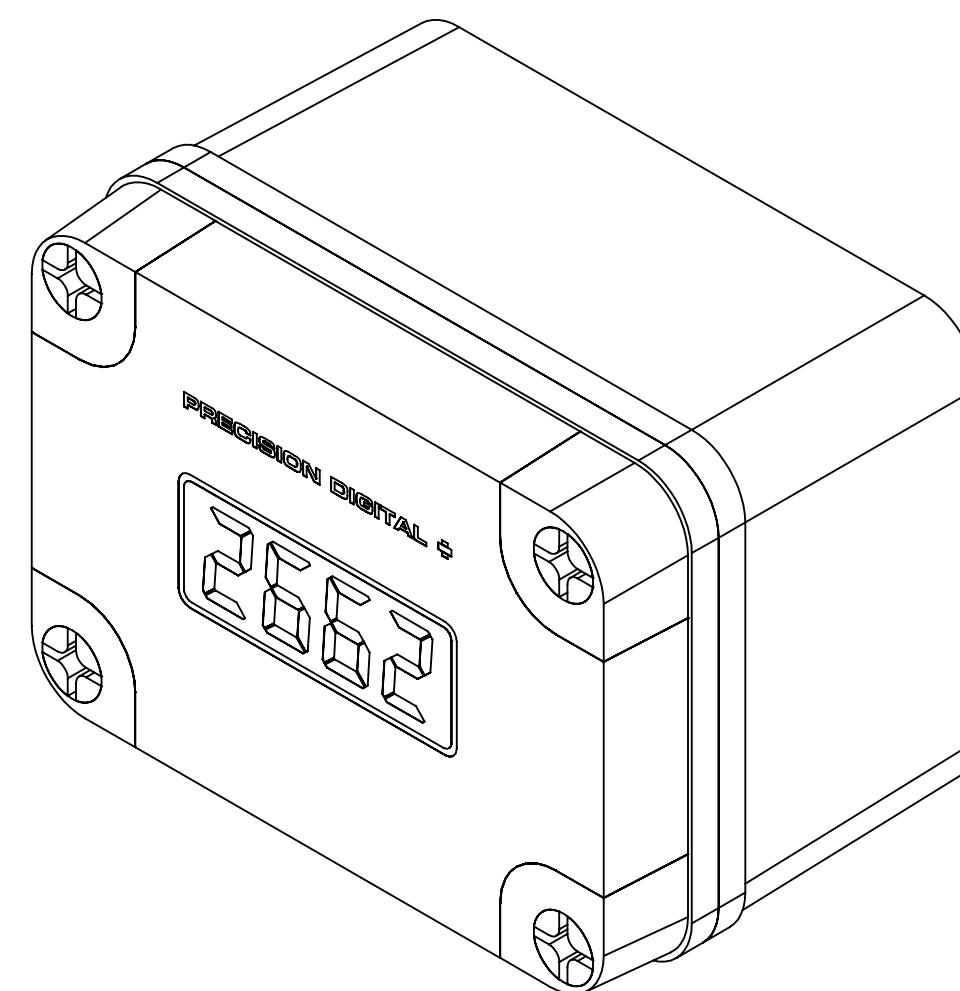
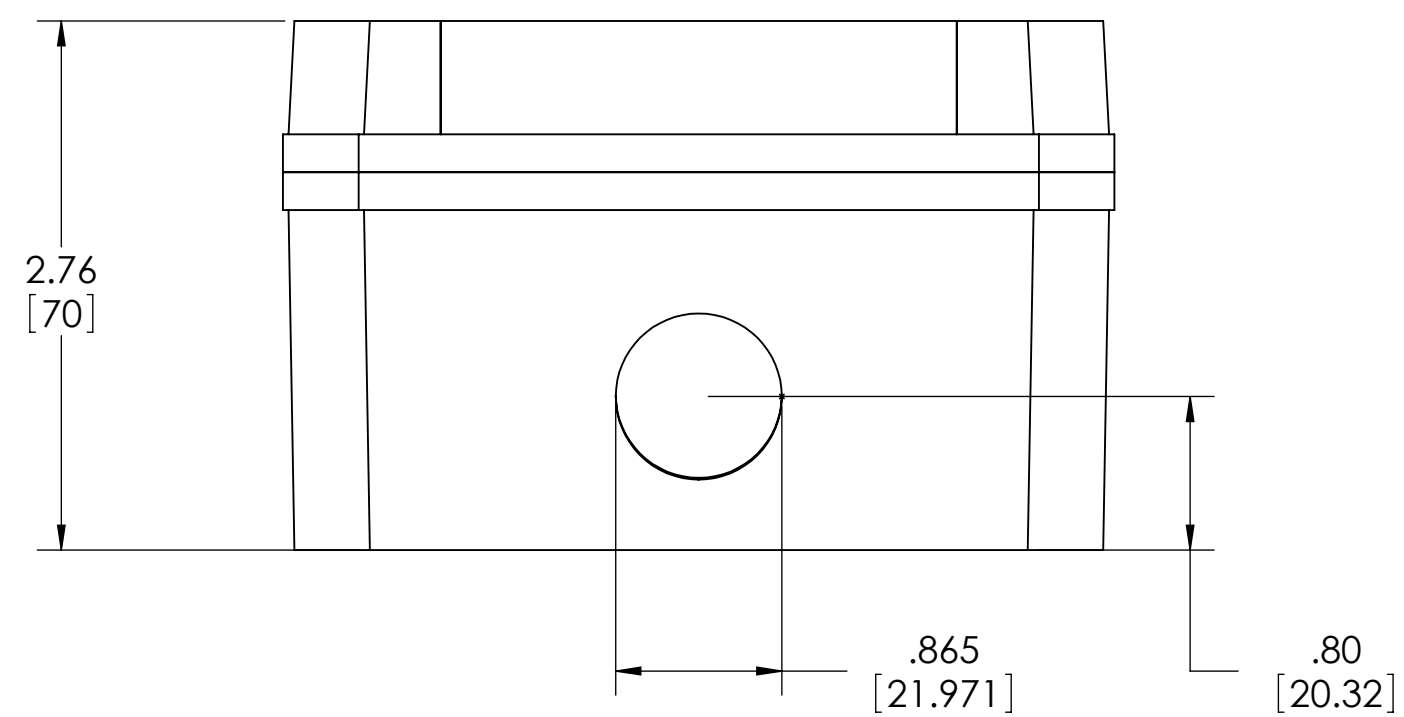
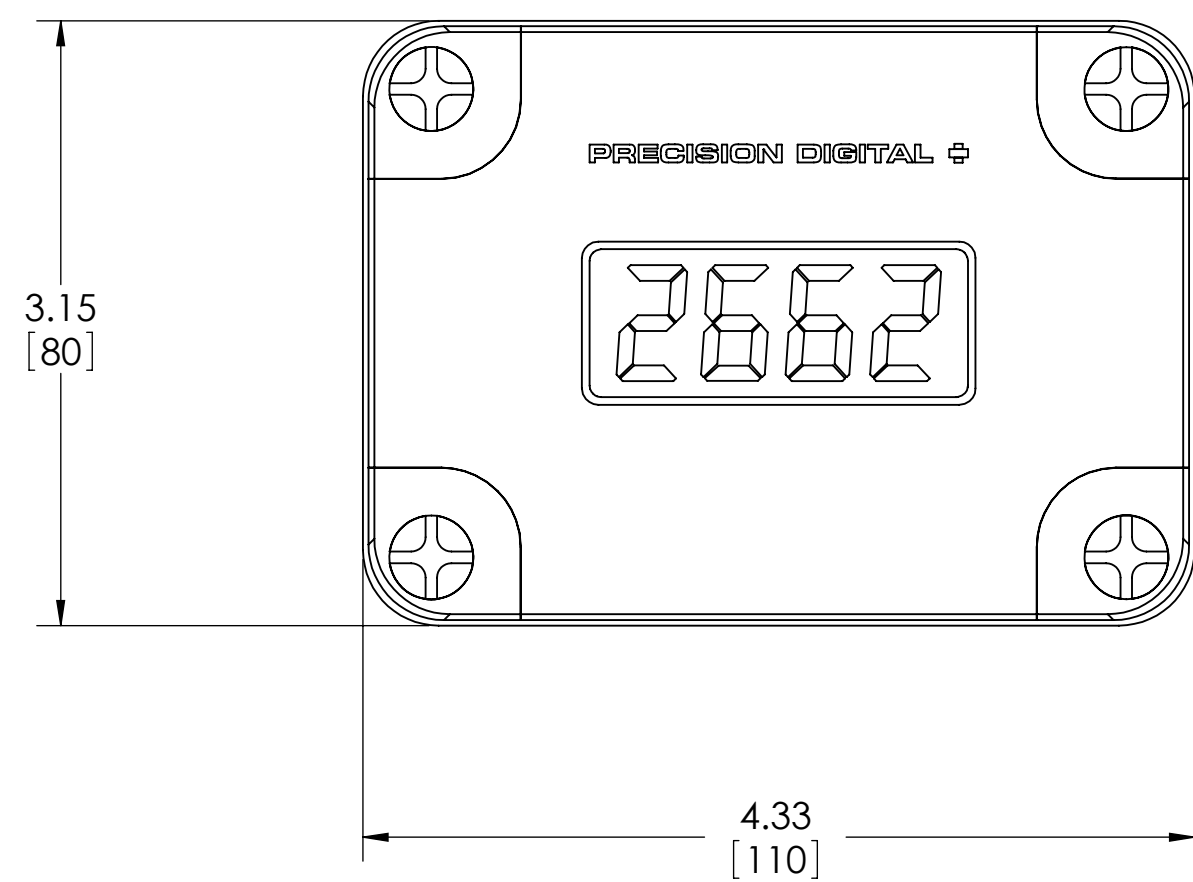


BOTTOM VIEW



FRONT VIEW



NOTES:

1. DIMENSIONS ARE IN INCHES [mm].
2. PD662-0K0-00 IS SHOWN.
3. CAN BE WALL, PANEL, CONDUIT, OR 2" PIPE MOUNTED.

PRECISION DIGITAL CORPORATION
HOLLISTON, MASSACHUSETTS 01746

DRAWN
M. ANDREWS
10/31/2013

PD662 SERIES
NEMA 4X
LOOP POWERED METER