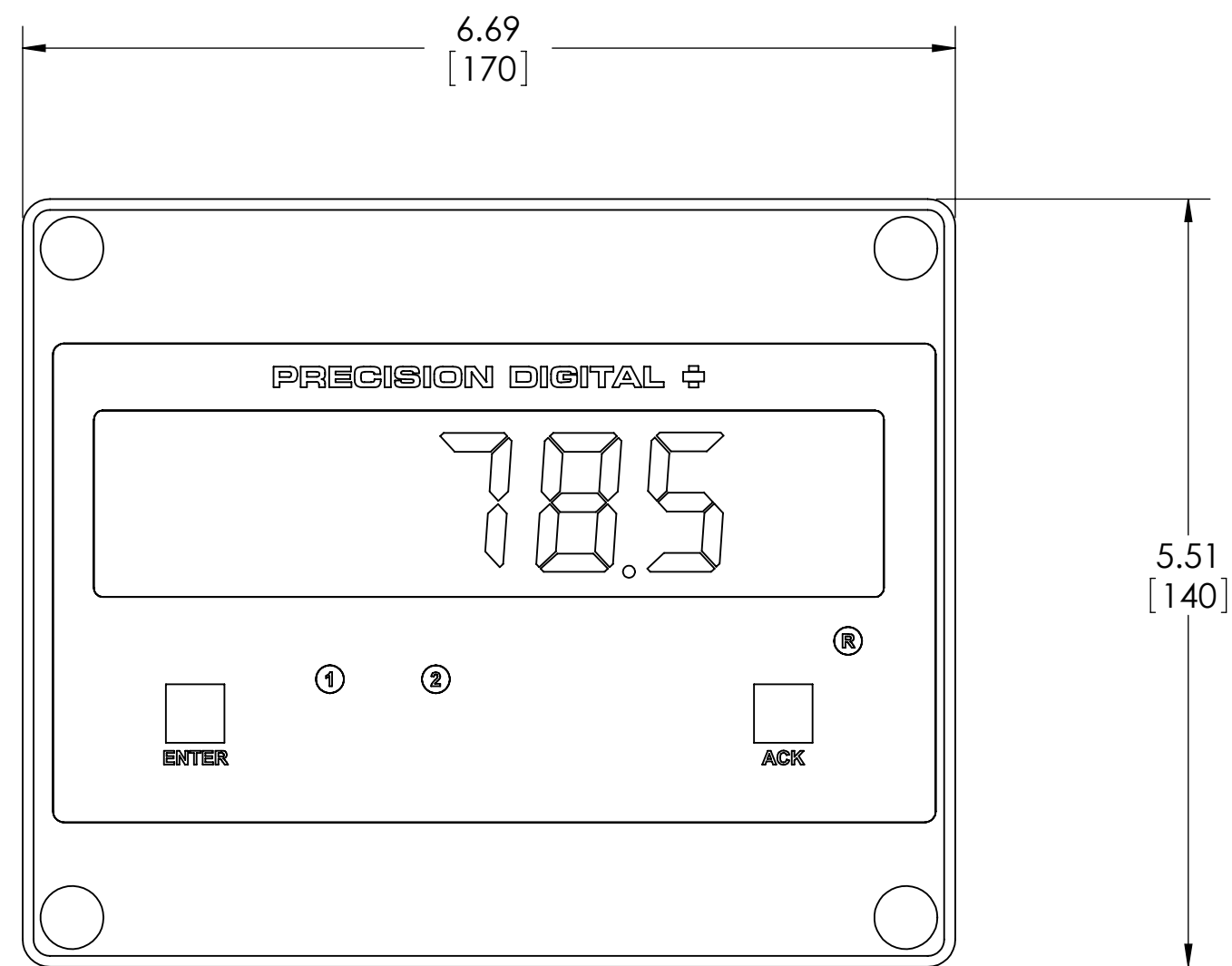
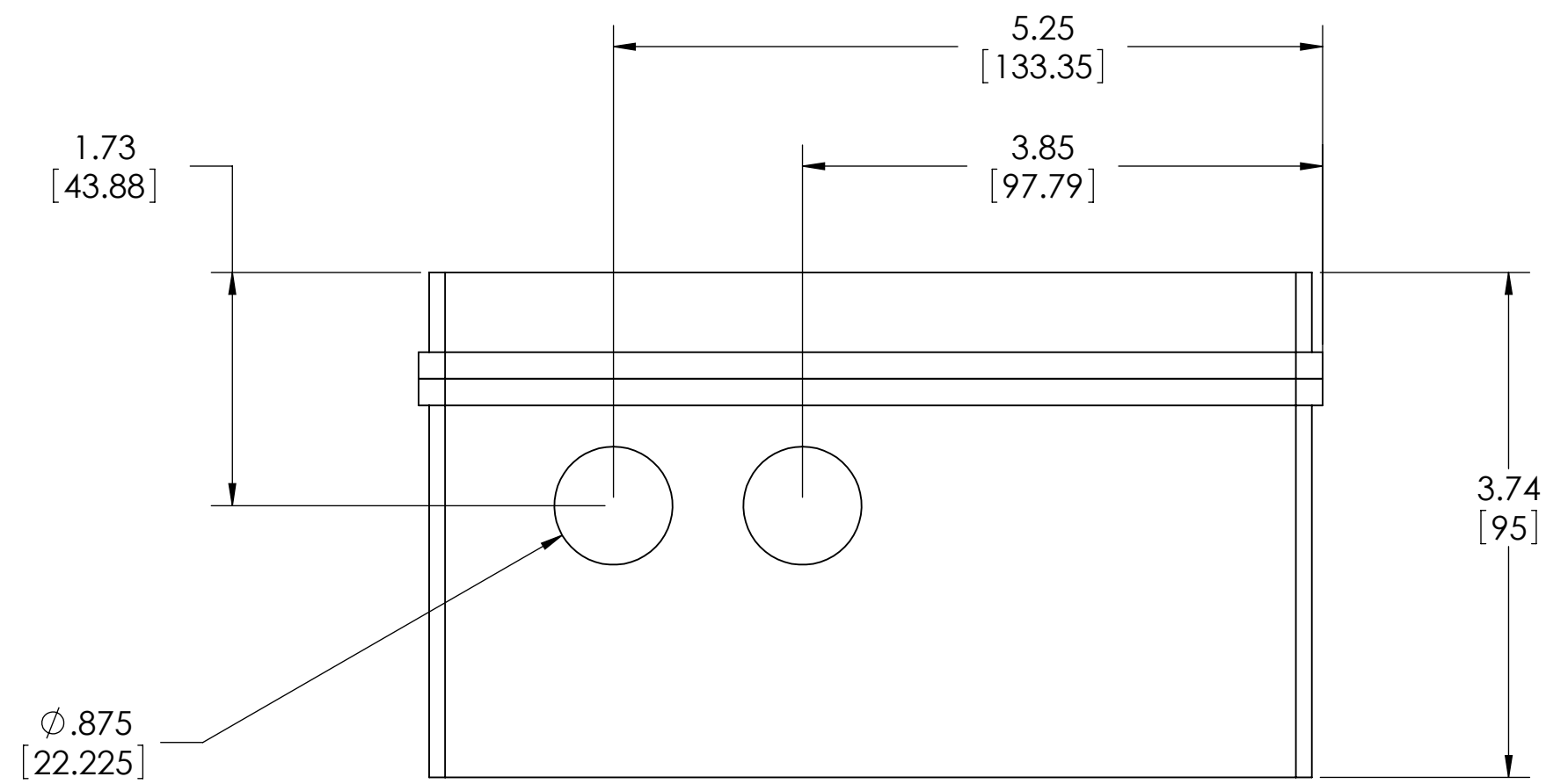
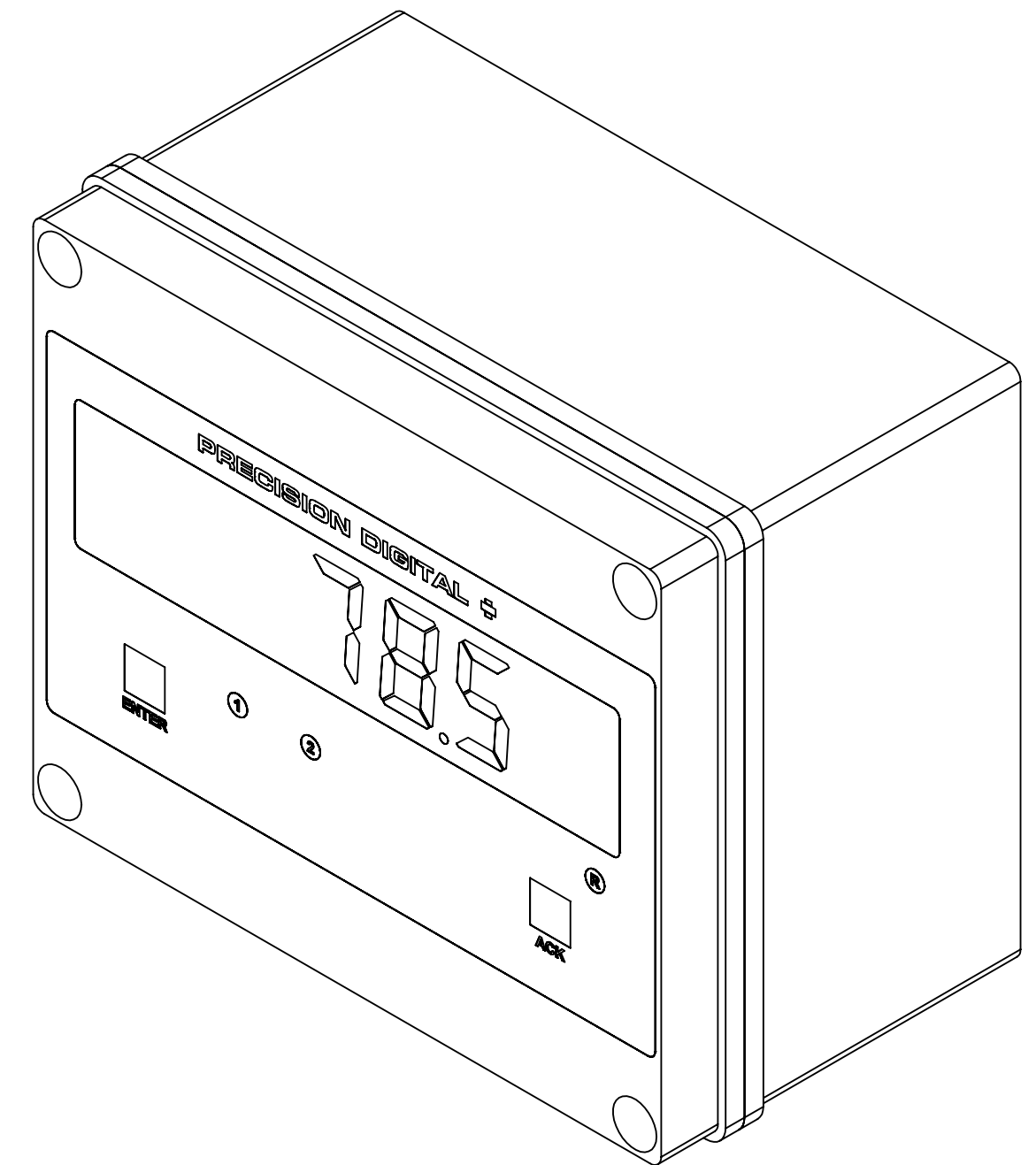


BOTTOM VIEW



FRONT VIEW



NOTES:

1. DIMENSIONS ARE IN INCHES [mm].
2. PD655-N IS SHOWN.
3. RECOMMENDED 1/8 DIN INSTALLATION CUTOUT SIZE OF 3.622" x 1.772" (92 mm x 45 mm) (W x H).
4. CAN BE PANEL, WALL, OR 2" PIPE MOUNTED.

PRECISION DIGITAL CORPORATION
HOLLISTON, MASSACHUSETTS 01746

DRAWN
M. ANDREWS
11/15/2013

PD655 SERIES
NEMA 4X LARGE DISPLAY
PROCESS METER