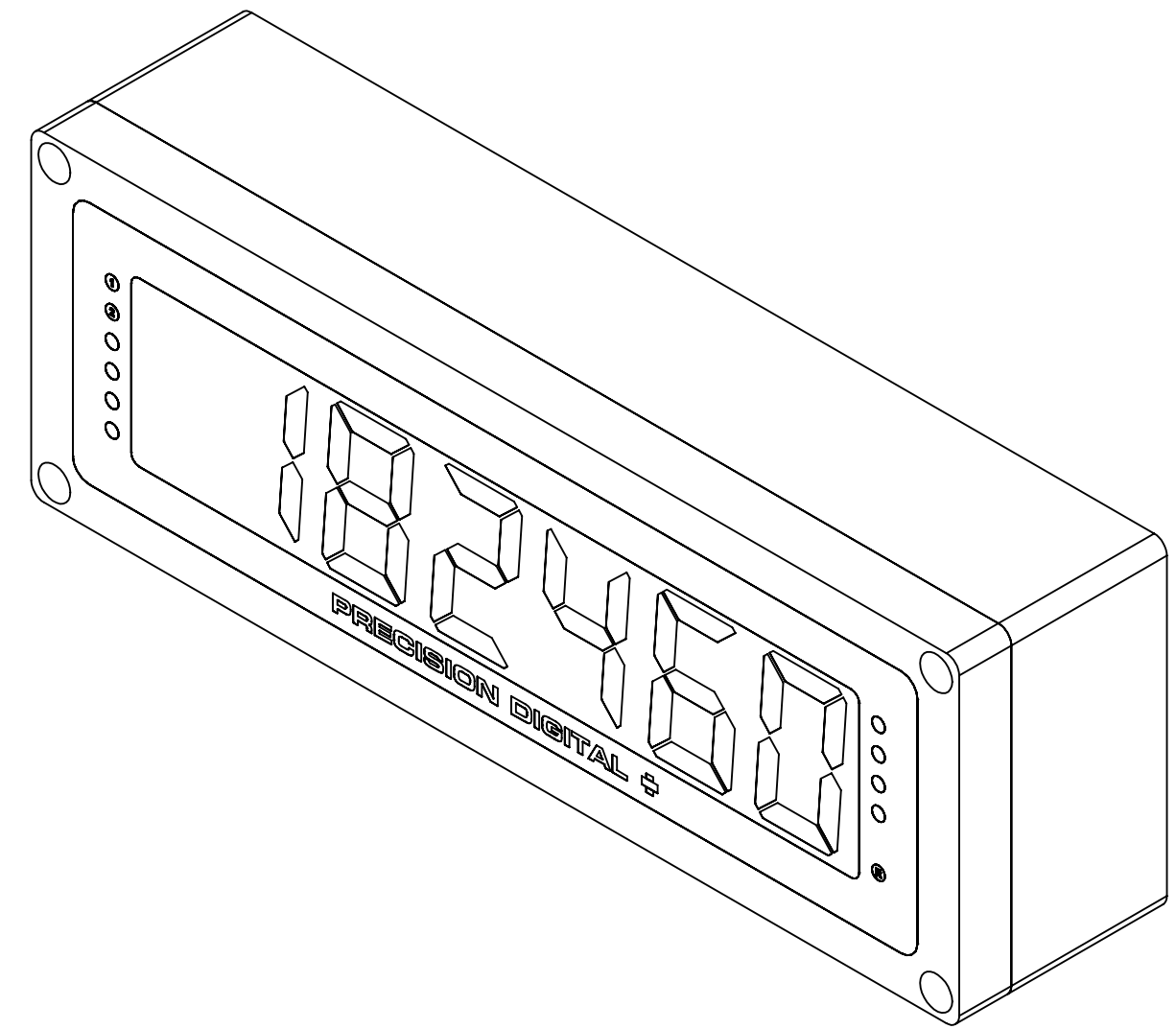
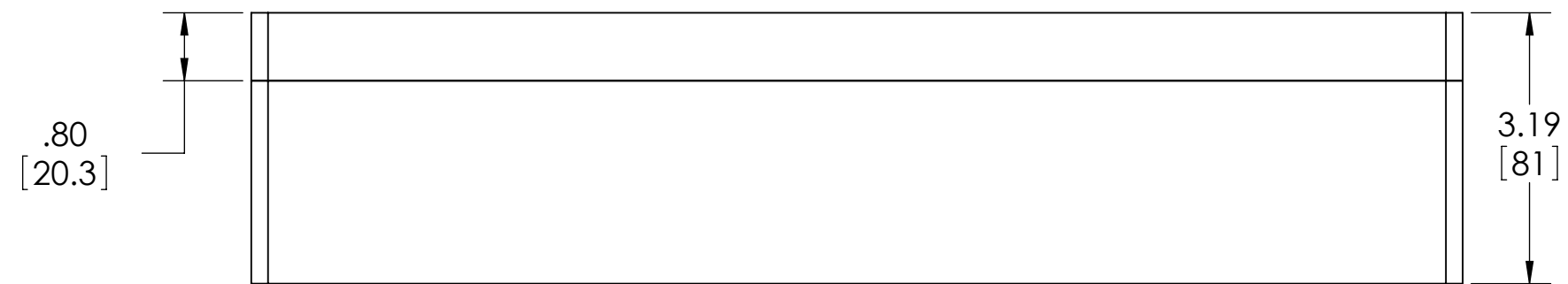
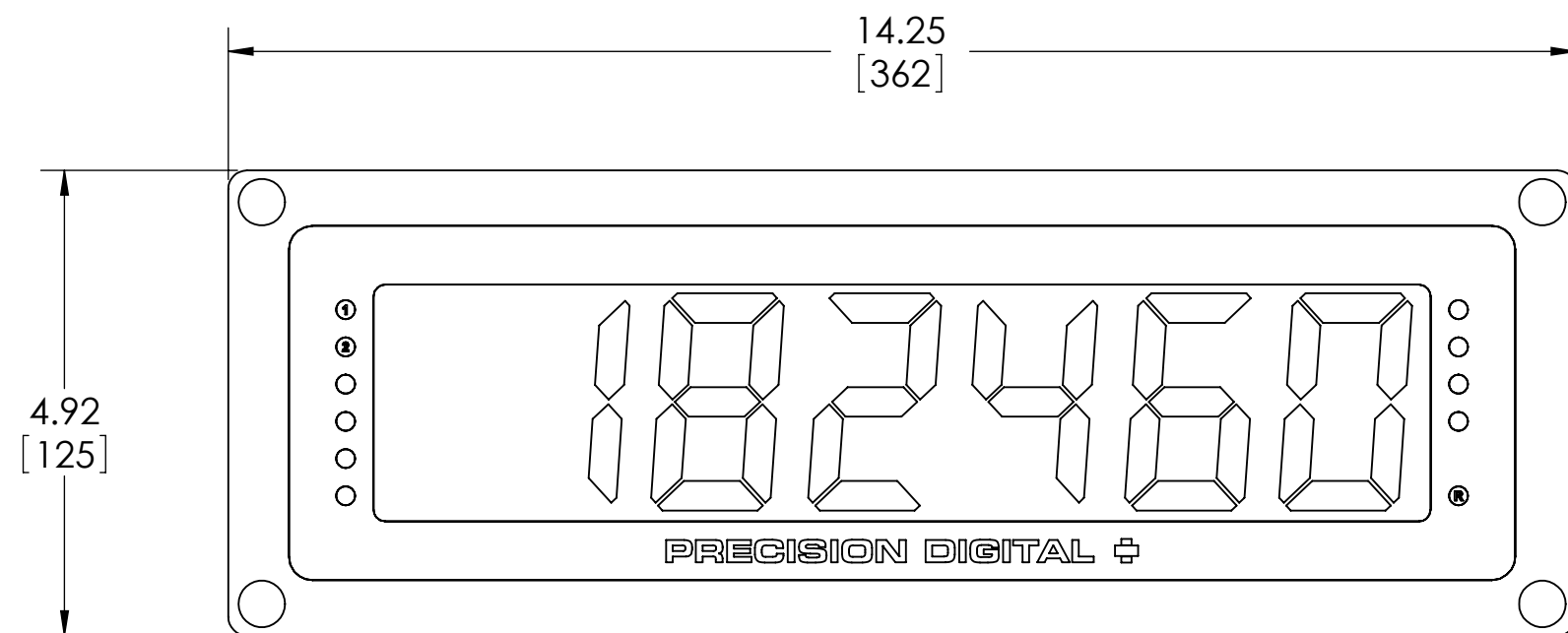


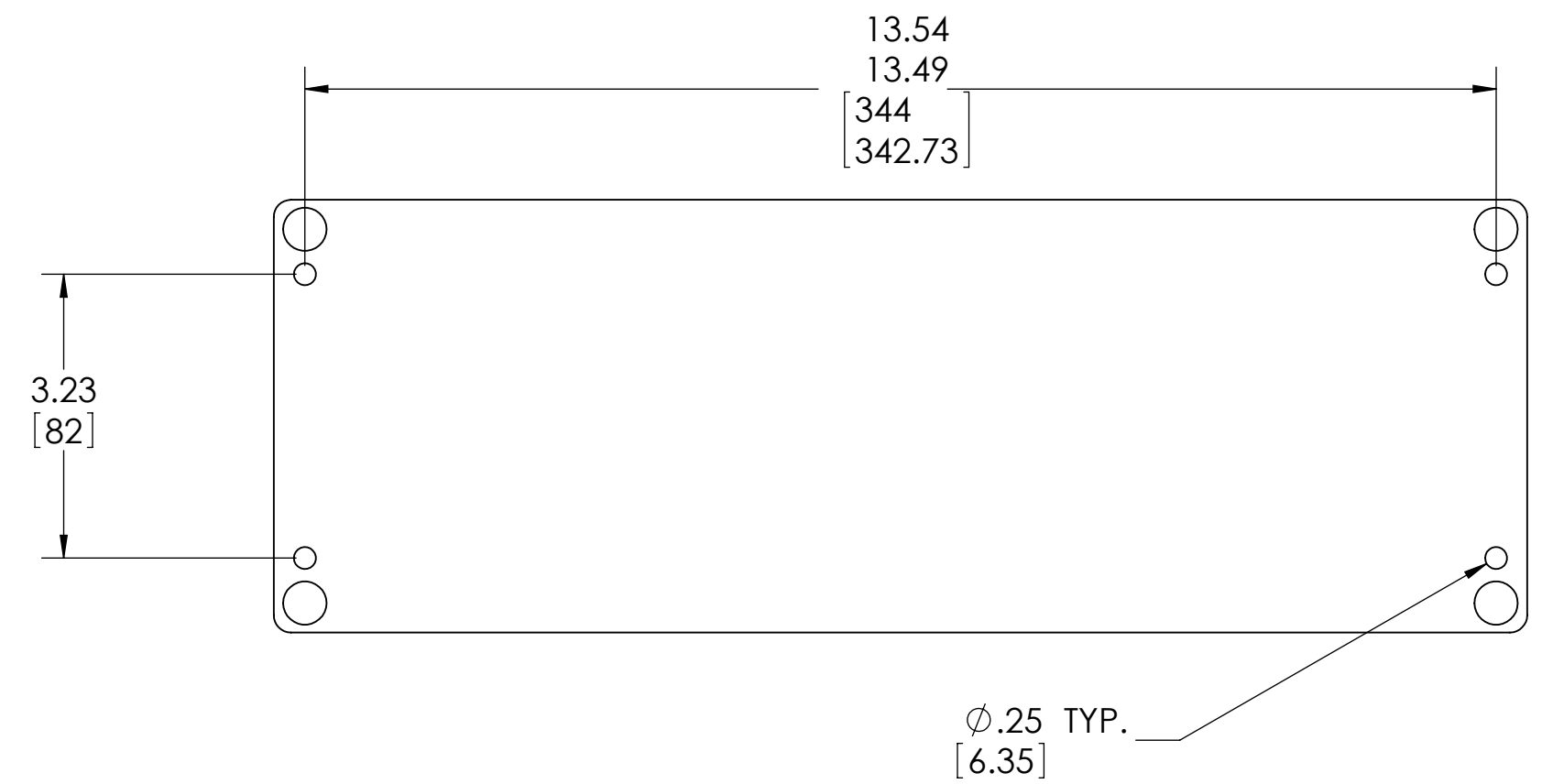
BOTTOM VIEW



FRONT VIEW



REAR VIEW



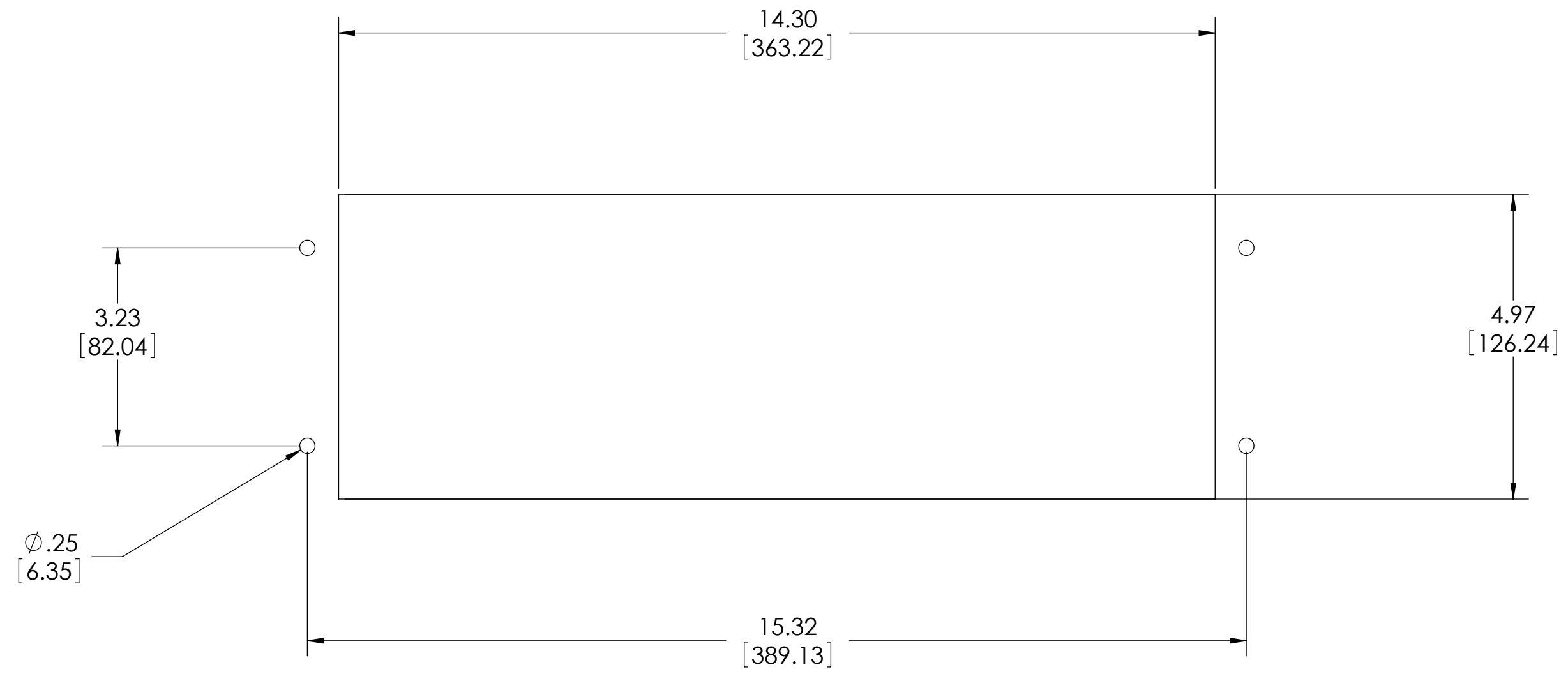
NOTES:

1. DIMENSIONS ARE IN INCHES [mm].
2. PD650-2-34 IS SHOWN.
3. RECOMMENDED 1/8 DIN INSTALLATION CUTOUT SIZE OF 3.622" x 1.772" (92 mm x 45 mm) (W x H).
4. CAN BE PANEL OR WALL MOUNTED.
5. MOUNTING SPACE REQUIRED: 7" X 17.5" X 4" (178 MM X 445 MM X 102 MM).
6. PANEL THICKNESS 0.06" - 0.25" (1.5 mm - 6.4 mm).
7. LONGER BRACKET SCREWS MAY BE USED FOR PANEL THICKNES UP TO 0.5" (12.7 mm).
8. SEE SHEET 2 FOR PANEL CUTOUT DIMENSIONS.

PRECISION DIGITAL CORPORATION
HOLLISTON, MASSACHUSETTS 01746

DRAWN
M. ANDREWS
11/14/2013

PD650 SERIES
NEMA 4X LARGE DISPLAY
PROCESS METER



PANEL MOUNTING CUTOUT

PRECISION DIGITAL CORPORATION
 HOLLISTON, MASSACHUSETTS 01746

DRAWN
 J. Ryan
 11/14/2013

PD650 SERIES
 NEMA 4X LARGE DISPLAY
 PROCESS METER