

# PDA9000SH Stainless Steel Sun Hood for ConsoliDator+ Instruction Manual



Controller and enclosure sold separately

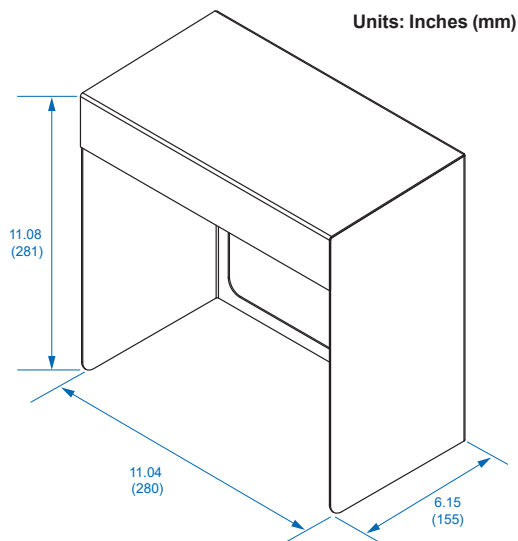
## FEATURES

- Provides Shade for PD9000 ConsoliDator+ Multivariable Controller
- Made from 18 Gauge 316 Stainless Steel
- Easy Mounting Requires no Drilled Holes in the Enclosure Cover/Door
- Includes Gasket to Maintain NEMA 4X Seal

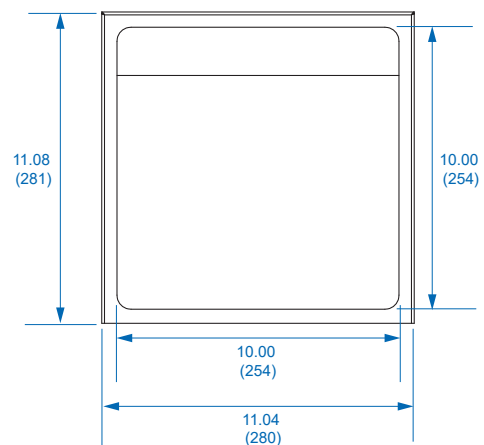
## INTRODUCTION

The PDA9000SH Stainless Steel Sun Hood improves the readability of the PD9000 ConsoliDator+ Multivariable Controller when it is mounted in direct sunlight by shading the instrument from the sun. The Sun Hood is made from 18 gauge 316 stainless steel and mounts between the PD9000 controller and the enclosure cover/door. In addition, the attached gasket is installed between the Sun Hood and the enclosure cover/door to provide a NEMA 4X seal. The whole assembly is held in place by the 12 mounting screws provided with the ConsoliDator+ Controller.

## DIMENSIONS



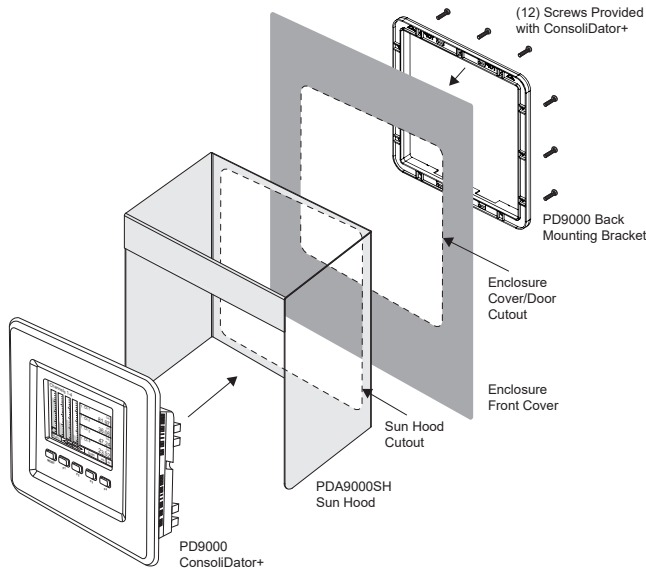
PDA9000SH Overall Dimensions



PDA9000SH ConsoliDator+ Cutout

## MOUNTING INSTRUCTIONS

- Slide the back side of the ConsoliDator+ through the cutout on the front side of the Sun Hood and through the enclosure cover/door cutout.
- Attach the back mounting bracket to the PD9000 ConsoliDator+ behind the enclosure cover/door with the 12 screws provided with the ConsoliDator+ and tighten to secure.



Back of PDA9000SH Sun Hood

**Note:** The PDA9000SH includes a gasket that is already attached to the back side of the Sun Hood.

## SPECIFICATIONS

<b>Material</b>	18 gauge 316 stainless steel
<b>Overall Dimensions</b>	11.04" x 11.08" x 6.15" (280 mm x 281 mm x 155 mm) (W x H x D)
<b>Weight</b>	3.4 lb (1.5 kg)
<b>Gasket Material</b>	Silicone Foam

## ORDERING INFORMATION

<a href="#">PDA9000SH</a>	Stainless Steel Sun Hood for ConsoliDator+ Multivariable Controller
---------------------------	---

**Note:** If installing in a thick panel, the added thickness of the Sun Hood may require that the mounting retention latches be loosened to allow room to clip into the panel cutout.

## ENCLOSURES

The following ConsoliDator+ Enclosures are compatible with the PDA9000SH Sun Hood:



**Note:** The PDA3939 ConsoliDator+ Enclosure is not compatible with the PDA9000SH

### Disclaimer

The information contained in this document is subject to change without notice. Precision Digital Corporation makes no representations or warranties with respect to the contents hereof, and specifically disclaims any implied warranties of merchantability or fitness for a particular purpose.

©2024 Precision Digital Corporation. All rights reserved.

### WARNING

Cancer and Reproductive Harm - [www.P65Warnings.ca.gov](http://www.P65Warnings.ca.gov)

LIM9000SH\_A 05/24