

PDA6545

2" Pipe Mounting Kit for PDA3400 Series and PDA2800 Series Enclosures



KEY FEATURES

- Mounts Enclosures to 1.5" or 2" Pipe
- Suitable for Horizontal or Vertical Pipes
- All Necessary Hardware Provided
- Available in Steel and 316 Stainless Steel

OVERVIEW

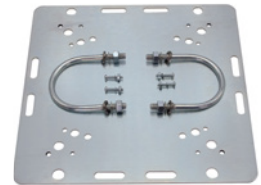
The PDA6545 and PDA6545-SS provide a convenient way to mount Precision Digital PDA3400 series and PDA2811, PDA2812, PDA2414, and PDA2415 enclosures to horizontal or vertical 1.5" or 2" pipes. The mounting kits are available in zinc plated steel and 316 stainless steel and include all necessary hardware to mount the enclosure to the pipe.

MOUNTING INSTRUCTIONS

1. Attach the mounting plate to the enclosure with the provided hardware. The holes for the enclosure mounting bolts are accessed by removing the enclosure lid.
2. Mount the plate to the pipe with the provided U-bolts and hardware.

CONTENTS

- One 13 gauge steel or stainless steel mounting plate
- Four (each) bolts, washers, lock washers & nuts to mount enclosure to plate
- Two U-bolts, and four (each) washers, lock washers & nuts to mount plate to pipe



MOUNTING (Rear View)



Figure 1. Rear View of PDA6545 Pipe Mounting Kit

MOUNTING HOLES LOCATION

Hole ID	Enclosure Type
1	PDA2811, PDA2812, PDA2414, PDA2415
2	PDA3407-PDA3414

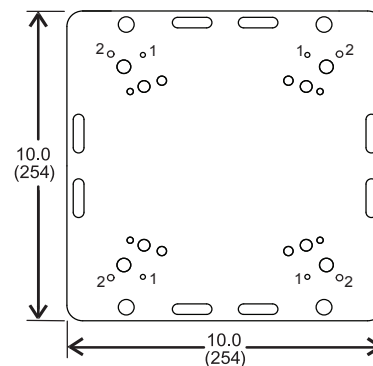


Figure 2. Hole Location Table & Dimension Drawing: Inches (mm)

PDA6545 2" Pipe Mounting Kit

DRAWINGS

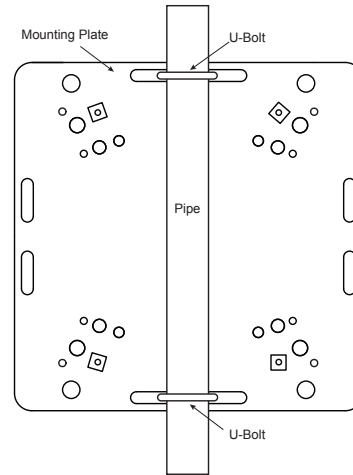
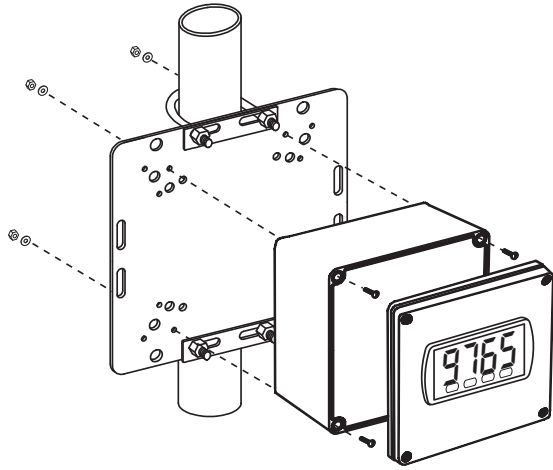


Figure 3. PDA6845 Mounted to Vertical 2" Pipe

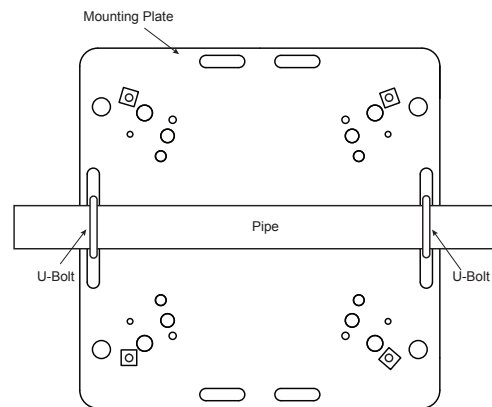
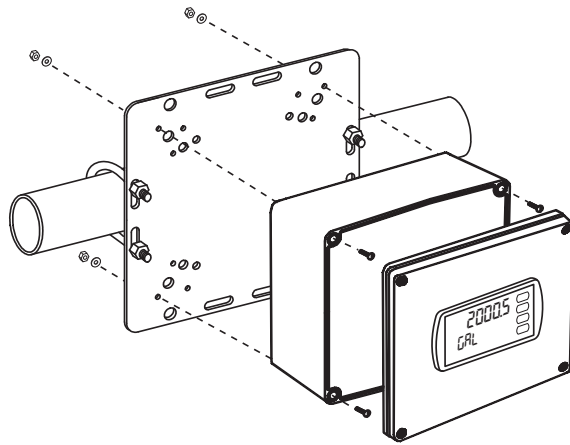


Figure 4. PDA6845 Mounted to Horizontal 2" Pipe

Note: Other products mount in similar fashion.

ORDERING INFORMATION

Model	Description	Plate Dimensions Inch (mm)	Weight lb (kg)
PDA6545	Steel Pipe Mount Kit for PDA3400 Series and PDA2811, PDA2812, PDA2814, PDA2815 Enclosures	10.00 x 10.00 X 0.90 (254 X 254 X 23)	2.60 (1.18)
PDA6545-SS	Stainless Steel Pipe Mount Kit for PDA3400 Series and PDA2811, PDA2812, PDA2814, PDA2815 Enclosures	10.00 x 10.00 X 0.90 (254 X 254 X 23)	2.90 (1.31)

The PDA6545 may be used to mount the following products to 1.5" or 2" pipes:

1. PDA2811, PDA2812, PDA2814, PDA2815 Enclosures
2. PDA3400 Series Enclosures

Disclaimer

The information contained in this document is subject to change without notice. Precision Digital Corporation makes no representations or warranties with respect to the contents hereof, and specifically disclaims any implied warranties of merchantability or fitness for a particular purpose. See Warranty Information and Terms & Conditions on www.predig.com for complete details.

© 2020 Precision Digital Corporation. All rights reserved.



WARNING

Cancer and Reproductive Harm - www.P65Warnings.ca.gov

LIM6545_A 06/20