

# Sabre P PD603 Low-Cost Process Meter

## Instruction Manual



*Sabre Series*



- 1/8 DIN Digital Panel Meter with NEMA 4X, IP65 Front
- 0-20, 4-20 mA, 0-5, 1-5, 0-10,  $\pm 10$  V Inputs
- 4-Digit Display, 0.56" (14.2 mm)
- Shallow Depth Case Extends Only 3.6" (91 mm) Behind Panel
- Isolated 24 VDC @ 200 mA Transmitter Power Supply Option
- No Assembly Required
- Operating Temperature Range: 0 to 65°C (32 to 150°F)
- UL & C-UL Listed. E160849; 508 Industrial Control Equipment
- Input Power Options: 85-265 VAC / 90-265 VDC or 12-36 VDC / 12-24 VAC
- Max/Min Display
- Easy Front Panel Programming; No Jumpers, Switches or Solder Pads
- Wide Assortment of NEMA 4X Enclosures for up to Ten Meters
- 1-Year Warranty

## PRECISION DIGITAL CORPORATION

233 South Street • Hopkinton MA 01748 USA  
Tel (800) 343-1001 • Fax (508) 655-8990

[www.prediq.com](http://www.prediq.com)



**Disclaimer**

The information contained in this document is subject to change without notice. Precision Digital makes no representations or warranties with respect to the contents hereof, and specifically disclaims any implied warranties of merchantability or fitness for a particular purpose. See Warranty Information and Terms & Conditions on [www.predig.com](http://www.predig.com) for complete details.

**CAUTION**

- Read complete instructions prior to installation and operation of the meter.

**WARNINGS**

- Risk of electric shock or personal injury.
- This product is not recommended for life support applications or applications where malfunctioning could result in personal injury or property loss. Anyone using this product for such applications does so at his/her own risk. Precision Digital Corporation shall not be held liable for damages resulting from such improper use.

**WARNING**

Cancer and Reproductive Harm - [www.P65Warnings.ca.gov](http://www.P65Warnings.ca.gov)

**Limited Warranty**

Precision Digital Corporation warrants this product against defects in material or workmanship for the specified period under "Specifications" from the date of shipment from the factory. Precision Digital's liability under this limited warranty shall not exceed the purchase value, repair, or replacement of the defective unit. See Warranty Information and Terms & Conditions on [www.predig.com](http://www.predig.com) for complete details.

**Registered Trademarks**

All trademarks mentioned in this document are the property of their respective owners.

© 2022 Precision Digital Corporation.  
All rights reserved.

**Introduction**

The Sabre P model PD603 is an easy to use 1/8 DIN digital panel meter that has all the important features customers want in a process input meter. These features include field selectable 0-20 mA, 4-20 mA, 0-5 V, 1-5 V, or ±10 V inputs, NEMA 4X front panel, UL and C-UL Listing for 508 Industrial Control Equipment, and optional 24 VDC power supply for the transmitter. The meter is easily programmed and scaled with its four front panel buttons and simple menu structure.

**Ordering Information**

85-265 VAC** Model	12-36 VDC** Model	Description
PD603-6R0-0*	PD603-7R0-0	Process Meter
PD603-6R0-1*		Process Meter with 24 V transmitter supply

\*\* All models may be powered from AC or DC, see **Specifications** for details.  
\* Quick Shipment Program product, typically shipped within 2 working days.

**Note:** Factory orders for Sabre products require a five (5) piece minimum of any combination of Sabre (PD603 & PD743) products. For instance, an order of three (3) PD603-6R0-0 and two (2) PD743-7R0-0 qualifies. For information on individual unit sales, please contact your local distributor.

**Accessories**

Model	Description
<a href="#">PD9501</a>	Multi-Function Calibrator
<a href="#">PD9502</a>	Low-Cost Signal Generator
<a href="#">PDA1024-01</a>	24 VDC Transmitter Power Supply for DIN Rail
<a href="#">PDA6420</a>	Split Core AC Current Transducer 30/60/120 AAC: 4-20 mA

**Enclosures**

Series	# of Meters	Material	Mounting
<a href="#">PDA2300</a>	1-10	Plastic NEMA 4X	Through Door
<a href="#">PDA2500</a>	1-6	Plastic NEMA 4X	Through Door
<a href="#">PDA2600</a>	1-6	Stainless Steel NEMA 4X	Through Door
<a href="#">PDA2700</a>	1-6	Steel NEMA 4	Through Door
<a href="#">PDA2800</a>	1-2	Plastic NEMA 4X	Through Cover
<a href="#">PDA3400</a>	1-2	Plastic NEMA 4X	Behind Window

**Need help selecting the right enclosure?**  
Go to [www.predig.com/esu](http://www.predig.com/esu)

## Table of Contents

Introduction.....	2
Ordering Information.....	2
Specifications .....	4
General.....	4
Process Input .....	4
Compliance Information.....	5
Safety .....	5
Electromagnetic Compatibility.....	5
EU Declaration of Conformity.....	5
Safety Information .....	5
Installation.....	6
Unpacking.....	6
Panel Mounting.....	6
Mounting Dimensions .....	6
Connections .....	7
Connector Labeling.....	7
Power Connections.....	7
Signal Connections.....	7
Setup and Programming.....	8
Front Panel Buttons and Status LED Indicators.....	8
Display Functions and Messages.....	8
Main Menu.....	9
Setting Numeric Values .....	9
Setting Up the Meter ( <i>SEtU</i> ) .....	9
Setting the Input Signal (inpt) .....	9
Setting the Decimal Point ( <i>dEc.P</i> ) .....	9
Programming the Meter ( <i>PrOG</i> ).....	10
Scaling the Meter ( <i>ScAL</i> ) .....	10
Calibrating the Meter ( <i>CRl</i> ) .....	10
Setting Up the Password ( <i>PR55</i> ).....	11
Locking the Meter .....	11
Unlocking the Meter .....	11
Operation.....	11
Front Panel Buttons Operation .....	11
Maximum/Minimum Readings.....	11
Troubleshooting .....	12
Troubleshooting Tips.....	12
Quick User Interface Reference Guide .....	12

## Table of Figures

Figure 1. Panel Cutout and Mounting .....	6
Figure 2. Meter Dimensions - Side View .....	6
Figure 3. Case Dimensions - Top View .....	6
Figure 4. PD603-6R0-0 / 7R0 Connectors Label .....	7
Figure 5. PD603-6R0-1 Connectors Label.....	7
Figure 6. Power Connections .....	7
Figure 7. Transmitter Powered by External Supply or Self-Powered.....	7
Figure 8. Transmitters Powered by Internal Supply (Optional) .....	7
Figure 9. Voltage Input Connections .....	7

## Specifications

Except where noted all specifications apply to operation at +25°C.

### General

<b>Display</b>	0.56" (14 mm) high, red LED Four digits (-1999 to 9999), automatic lead zero blanking.
<b>Display Update Rate</b>	5/second
<b>Overrange</b>	Display flashes 9999
<b>Underrange</b>	Display flashes - 1999
<b>Programming Methods</b>	Four front panel buttons
<b>Recalibration</b>	All ranges are calibrated at the factory. Recalibration is recommended at least every 12 months.
<b>Max/Min Display</b>	Max/min readings reached by the process are stored until reset by the user or until power to the meter is turned off.
<b>Password</b>	Programmable password restricts modification of programmed settings.
<b>Non-Volatile Memory</b>	All programmed settings are stored in non-volatile memory for a minimum of ten years if power is lost.
<b>Power Options</b>	85-265 VAC, 50/60 Hz; 90-265 VDC, 20 W max or 12-36 VDC, 12-24 VAC, 6 W max
<b>Fuse</b>	Required fuse: UL Recognized, 5 A max, slow blow Up to 6 meters may share one 5 A fuse
<b>Isolated Transmitter Power Supply</b>	P+, P- terminals: 24 VDC ±10% @ 200 mA max
<b>Normal Mode Rejection</b>	64 dB at 50/60 Hz
<b>Isolation</b>	4 kV input-to-power line 500 V input-to-24 V supply
<b>Overvoltage Category</b>	Installation Overvoltage Category II: Local level with smaller transient overvoltages than Installation Overvoltage Category III.
<b>Environmental</b>	Operating temperature range: 0 to 65°C (32 to 150°F) Storage temperature range: -40 to 85°C (-40 to 185°F) Relative humidity: 0 to 90% non-condensing
<b>Connections</b>	Removable screw terminal blocks accept 12 to 22 AWG wire, RJ11 for factory use only.
<b>Enclosure</b>	1/8 DIN, high impact plastic, UL 94V-0, color: gray
<b>Mounting</b>	1/8 DIN panel cutout required. Two panel mounting bracket assemblies provided

<b>Tightening Torque</b>	Screw terminal connectors: 5 lb-in (0.56 Nm)
<b>Overall Dimensions</b>	2.45" x 4.68" x 4.19" (62 mm x 119 mm x 106 mm) (H x W x D)
<b>Weight</b>	8.5 oz (241 g)
<b>Warranty</b>	1 year parts & labor. See Warranty Information and Terms & Conditions on <a href="http://www.predig.com">www.predig.com</a> for complete details.

### Process Input

<b>Inputs</b>	Field selectable: 0-20 mA, 4-20 mA 0-5 V, 1-5 V, 0-10 V, or ±10 V	
<b>Accuracy</b>	±0.05% FS ±1 count	
<b>Function</b>	Linear	
<b>Temperature Drift</b>	50 PPM/°C from 0 to 65°C ambient	
<b>Decimal Point</b>	Up to three decimal places: <i>d.ddd</i> , <i>ddd.d</i> , <i>ddd.d</i> , or <i>ddd.d</i> Programmed via front panel buttons	
<b>Calibration Range</b>	An <i>Error</i> message will appear if input 1 and input 2 signals are too close together.	
	Input Range	Minimum Span Input 1 & Input 2
	4-20 mA	0.40 mA
	±10 V	0.20 V
<b>Input Impedance</b>	Voltage ranges: greater than 1 MΩ Current ranges: 50 - 100 Ω (depending on resettable fuse impedance)	
<b>Input Overload</b>	Current input protected by resettable fuse. Fuse resets automatically after fault is removed.	
<b>HART Transparency</b>	The meter does not interfere with existing HART communications; it displays the 4-20 mA primary variable and it allows the HART communications to pass through without interruption. The meter is not affected if a HART communicator is connected to the loop. The meter does not display secondary HART variables.	

## Compliance Information

### Safety

<b>UL Listed</b>	USA and Canada UL 508 Industrial Control Equipment
<b>UL File Number</b>	E160849
<b>Front Panel</b>	UL Type 4X, NEMA 4X, IP65; panel gasket provided
<b>Low Voltage Directive</b>	EN 61010-1 Safety requirements for measurement, control, and laboratory use

### Electromagnetic Compatibility

<b>Emissions</b>	EN 55011 Group 1 Class A ISM emissions requirements
Radiated Emissions	Class A
AC Mains Conducted Emissions	Class A
<b>Immunity</b>	EN 61326-1 Measurement, control, and laboratory equipment EN 61000-6-2 EMC heavy industrial generic immunity standard
RFI - Amplitude Modulated	80 -1000 MHz 10 V/m 80% AM (1 kHz) 1.4 - 2.0 GHz 3 V/m 80% AM (1 kHz) 2.0 - 2.7 GHz 1 V/m 80% AM (1 kHz)
Electrical Fast Transients	±2kV AC mains, ±1kV other
Electrostatic Discharge	±4kV contact, ±8kV air
RFI - Conducted	10V, 0.15-80 MHz, 1kHz 80% AM
AC Surge	±2kV Common, ±1kV Differential
Surge	1KV (CM)
Power-Frequency Magnetic Field	30 A/m 70%V for 0.5 period
Voltage Dips	40%V for 5 & 50 periods 70%V for 25 periods
Voltage Interruptions	<5%V for 250 periods

**Note:**

Testing was conducted on meters installed through the covers of grounded metal enclosures with cable shields grounded at the point of entry representing installations designed to optimize EMC performance.

## EU Declaration of Conformity

EU Declaration of Conformity is available in the Documentation CD provided with the product under the **EU DoC** menu.

### Safety Information

**CAUTION**

- Read complete instructions prior to installation and operation of the meter.

**WARNINGS**

- Risk of electric shock or personal injury.
- Hazardous voltages exist within enclosure. Installation and service should be performed only by trained service personnel.

## Installation

There is no need to remove the meter from its case to complete the installation, wiring, and setup of the meter.

## Unpacking

Remove the meter from box. Inspect the packaging and contents for damage. Report damages, if any, to the carrier.

If any part is missing or the meter malfunctions, please contact your supplier or the factory for assistance.

## Panel Mounting

- Prepare a standard 1/8 DIN panel cutout – 3.622" x 1.772" (92 mm x 45 mm). Refer to *Mounting Dimensions* on page 6 for more details.
- Clearance: allow at least 4" (102 mm) behind the panel for wiring.
- Panel thickness: 0.04" - 0.25" (1.0 mm - 6.4 mm). Recommended minimum panel thickness to maintain Type 4X rating: 0.06" (1.5 mm) steel panel, 0.16" (4.1 mm) plastic panel.
- Remove the two mounting brackets provided with the meter (back-off the two screws so that there is ¼" (6.4 mm) or less through the bracket. Slide the bracket toward the front of the case and remove).
- Insert meter into the panel cutout.
- Install mounting brackets and tighten the screws against the panel. To achieve a proper seal, tighten the mounting bracket screws evenly until meter is snug to the panel along its short side. **DO NOT OVER TIGHTEN**, as the rear of the panel may be damaged.

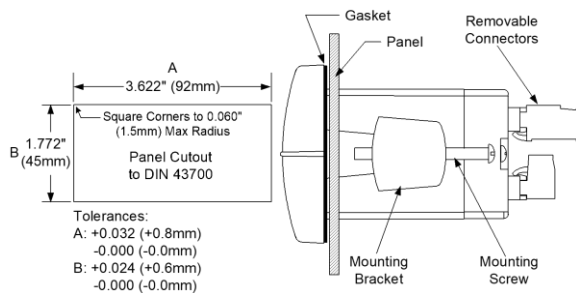


Figure 1. Panel Cutout and Mounting

## Mounting Dimensions

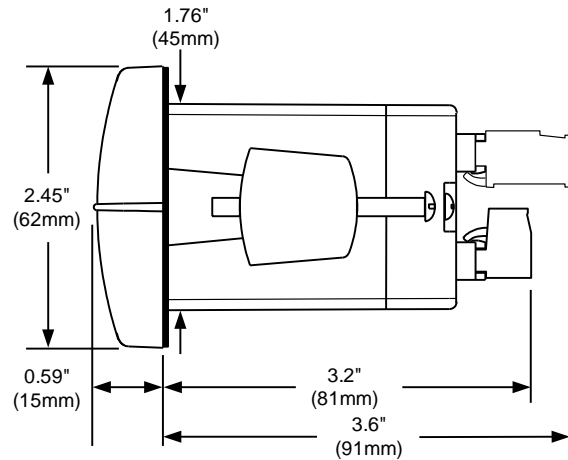


Figure 2. Meter Dimensions - Side View

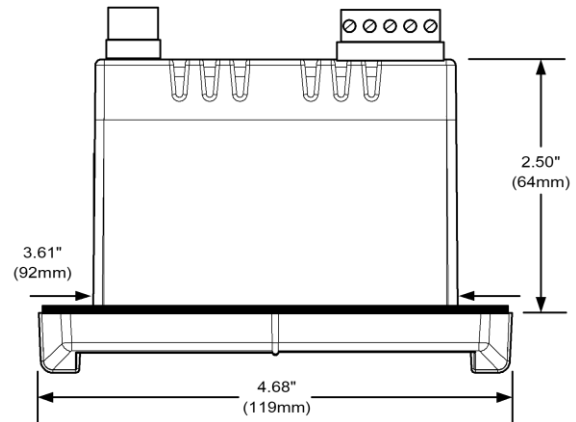


Figure 3. Case Dimensions - Top View



Download free 3-D CAD files of these instruments to simplify your drawings!

[predig.com/documentation-cad](http://predig.com/documentation-cad)

## Connections

All connections are made to removable screw terminal connectors located at the rear of the meter.

### CAUTION

- Use copper wire with 60°C or 60/75°C insulation for all line voltage connections.
- Observe all safety regulations.
- Electrical wiring should be performed in accordance with all applicable national, state, and local codes to prevent damage to the meter and ensure personnel safety.

## Connector Labeling

The connectors label, affixed to the meter, shows the location of the connectors available with requested configuration.

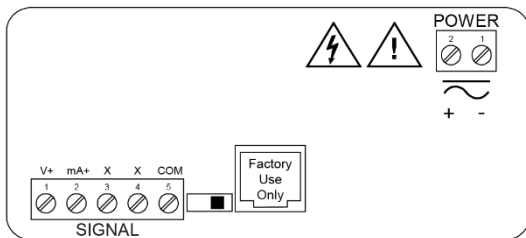


Figure 4. PD603-6R0-0 / 7R0 Connectors Label

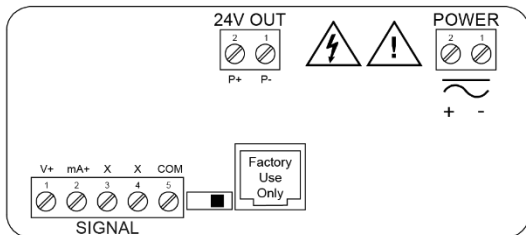


Figure 5. PD603-6R0-1 Connectors Label

## Power Connections

Power connections are made to a two-terminal connector labeled POWER. The meter will operate regardless of DC polarity connection. The + and - symbols are only a suggested wiring convention.

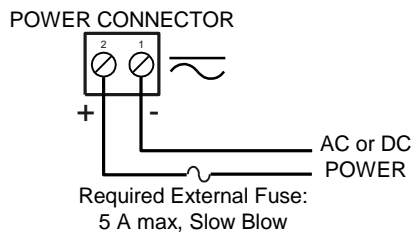


Figure 6. Power Connections

## Signal Connections

Signal connections are made to a five-terminal connector labeled SIGNAL. The COM (common) terminal is the return for all types of input signals.

### Current and Voltage Connections

The following figures show examples for current and voltage connections.

There are no switches or jumpers to set up for current and voltage inputs. Setup and programming is performed through the front panel buttons.

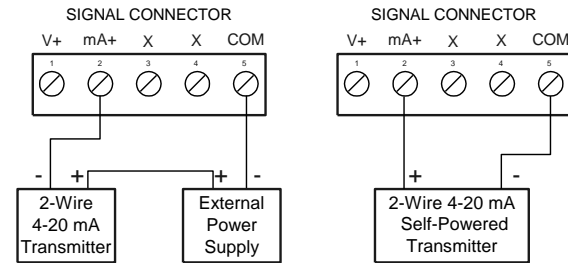


Figure 7. Transmitter Powered by External Supply or Self-Powered

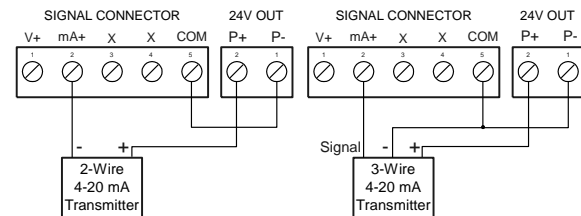


Figure 8. Transmitters Powered by Internal Supply (Optional)

The current input is protected against current overload by a resettable fuse. The display may or may not show a fault condition depending on the nature of the overload.

The fuse limits the current to a safe level when it detects a fault condition, and automatically resets itself when the fault condition is removed.

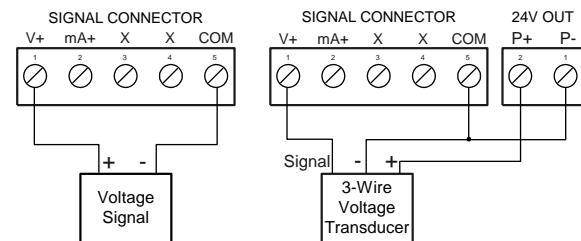


Figure 9. Voltage Input Connections

The meter is capable of accepting any voltage from -10 VDC to +10 VDC.



## Setup and Programming

There are no jumpers involved in the setup process of the meter. The switch, located between the SIGNAL and the RJ11 connectors are not used with the PD603 model. Setup and programming is done through the front panel buttons.

After power and signal connections have been completed and verified, apply power to the meter.

For Quick User Interface Reference Guide go to page 12

## Front Panel Buttons and Status LED Indicators



Button Symbol	Description
	Menu
	Right arrow/Reset
	Up arrow/Max
	Enter/Ack

- Press the **Menu** button to enter or exit the Programming Mode at any time.
- Press the **Right** arrow button to move to the next digit during digit programming.
- Press the **Up** arrow button to scroll through the menus, decimal point, or to increment the value of a digit.
- Press the **Enter/Ack** button to access a menu or to accept a setting.

## Display Functions and Messages

The meter displays various functions and messages during setup/programming and operation. The following table shows the displayed functions and messages with their action/setting description.

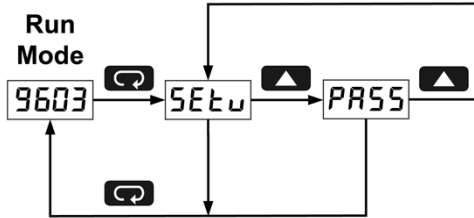
Display	Parameter	Action/Setting
SEtU	Setup	Enter Setup menu
inPt	Input	Enter Input menu
4-20	4-20 mA	Set meter for 4-20 mA input
0-10	0-10 VDC	Set meter for ±10 VDC input
dEc.P	Decimal point	Set decimal point for process inputs
PrG	Program	Enter the Program menu
ScAL	Scale	Enter the Scale menu
CL	Calibrate	Enter the Calibrate menu
inP 1	Input 1	Calibrate input 1 signal or program input 1 value
d 1 1	Display 1	Program display 1 value
inP 2	Input 2	Calibrate input 2 signal or program input 2 value
d 1 2	Display 2	Program display 2 value
Err	Error	Error, calibration not successful, check signal
PRSS	Password	Enter the Password menu
unL	Unlocked	Program password to lock meter
LoCk	Locked	Enter password to unlock meter
9999 - 1999	Flashing display	Overrange condition Underrange condition



## Main Menu

The main menu consists of the following functions: *Setup* and *Password*.

- Press **Menu** button to enter Programming Mode then press **Up** arrow button to scroll main menu.



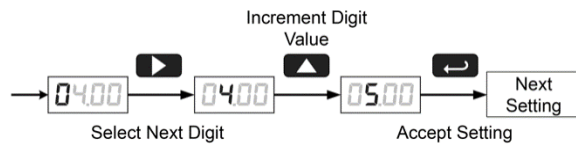
- Press **Menu**, at any time, to exit and return to Run Mode. Changes made to settings prior to pressing **Enter/Ack** are not saved.
- Changes to the settings are saved to memory only after pressing **Enter/Ack**.
- The display moves to the next menu every time a setting is accepted by pressing **Enter/Ack**.

## Setting Numeric Values

The numeric values are set using the **Right** and **Up** arrow buttons. Press **Right** arrow to select next digit and **Up** arrow to increment digit value.

The digit being changed is displayed brighter than the rest.

Press the **Enter/Ack** button, at any time, to accept a setting or **Menu** button to exit without saving changes.



The decimal point is set using the **Up** arrow button in the *Setup-decimal point* menu.

## Setting Up the Meter (SEtU)

The *Setup* menu is used to select:

1. Input signal the meter will accept
2. Decimal point position
3. Program

Press the **Enter/Ack** button to access any menu or press **Up** arrow button to scroll through choices. Press the **Menu** button to exit at any time.

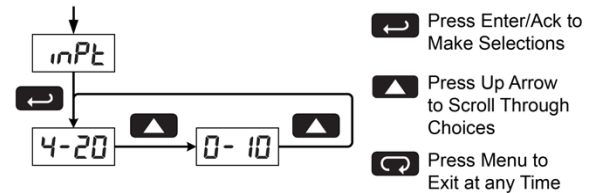


### Setting the Input Signal ( inPt )

Enter the *Input* menu to set up the meter to display current (4-20) or voltage (0-10) inputs.

The voltage input is capable of accepting any signal from -10 to +10 VDC. Select voltage input to accept 0-5, 1-5, 0-10, or ±10 VDC signals.

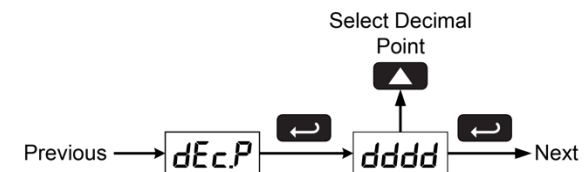
The current input is capable of accepting any signal from -20 to 20 mA. Select current input to accept 0-20 or 4-20 mA signals.



### Setting the Decimal Point ( dEc.P )

Decimal point may be set with up to three decimal places or with no decimal point at all.

Pressing the **Up** arrow moves the decimal point one place to the right until no decimal point is displayed, then it moves to the leftmost position.

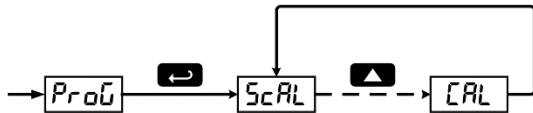


## Programming the Meter (Prog)

The meter may either be scaled (ScAL) without applying an input or calibrated (Cal) by applying an input. The meter comes factory calibrated to NIST standards, so for initial setup, it is recommended to use the (ScAL) function.

The Program menu contains the Scale (ScAL) and the Calibrate (CAL) menus.

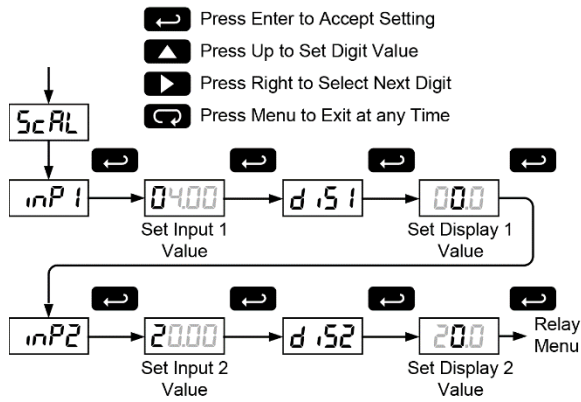
Process inputs may be scaled or calibrated to any display within the range of the meter.



### Scaling the Meter (ScAL)

The process inputs (4-20 mA and ±10 VDC) can be scaled to display the process in engineering units.

A signal source is not needed to scale the meter; simply program the inputs and corresponding display values.



For instructions on how to program numeric values see *Setting Numeric Values*, page 9.

### Error Message (Err)

An error message indicates that the calibration or scaling process was not successful.

After the error message is displayed, the meter reverts to input 1, allowing the appropriate input signals to be applied.

The error message might be caused by any of the following conditions:

1. Input signal is not connected to the proper terminals or it is connected backwards.
2. Wrong signal selection in Setup menu.
3. Minimum input span requirements not maintained.
4. Input 1 signal inadvertently applied to calibrate input 2.

### Minimum Input Span

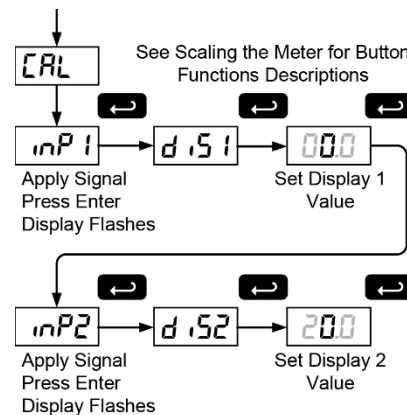
The minimum input span is the minimum difference between input 1 and input 2 signals required to complete the calibration or scaling of the meter.

Input range	Input 1 & input 2 span
4-20 mA	0.40 mA
±10 VDC	0.20 VDC

### Calibrating the Meter (CAL)

The meter can be calibrated to display the process in engineering units by applying the appropriate input signals and following the calibration procedure.

The use of a calibrated signal source is required to calibrate the meter.



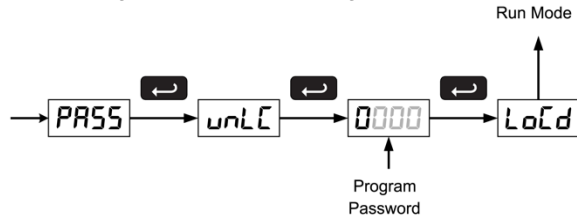
## Setting Up the Password (PASS)

The *Password* menu is used to program a four-digit password to prevent unauthorized changes to the programmed parameter settings.

### Locking the Meter

Enter the *Password* menu and program a four-digit password.

For instructions on how to program numeric values see *Setting Numeric Values*, page 9.

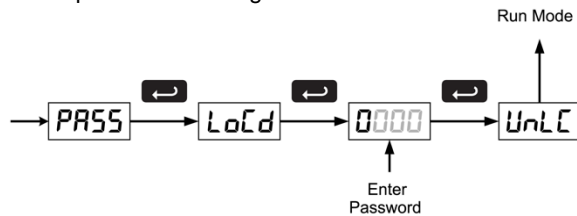


Record the password for future reference. If appropriate, it may be recorded in the space provided.

Model:	
Serial Number:	
Password:	— — — —

### Unlocking the Meter

If the meter is password protected, the correct password must be entered in order to make changes to the parameter settings.



Entering the correct four-digit number sets the password to 0000, disabling the protection.

Changes to the programmed parameter settings are allowed only with the password set to 0000.

If the password entered is incorrect, the meter displays *LoCd* (Locked) for about two seconds, then it returns to Run Mode. To try again, press **Enter/Ack** while the *Locked* message is displayed.

### Forgot the Password?

The password may be disabled by the following procedure:

1. Note display reading prior to pressing the Menu button. Ignore decimal point and sign.
2. Access the *Password* menu, add 2 to the noted reading and enter that number as the password (e.g. display reading = -1.23, password = 0125).

## Operation

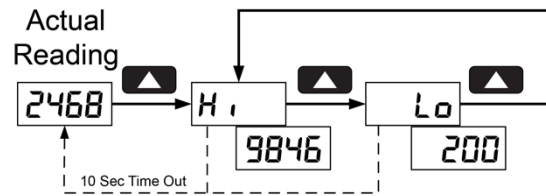
For process inputs, the meter is capable of accepting positive and negative signals and displaying these signals in engineering units from -1999 to 9999 (e.g. a signal from -10 to +10 VDC could be displayed as -1000 to 1000).

### Front Panel Buttons Operation

Button Symbol	Description
	Press to enter or exit Programming Mode, view settings, or exit Max/Min readings
	Press to reset Max/Min readings
	Press to display Max/Min readings alternately
	Press to display Max/Min reading indefinitely while displaying Max/Min

### Maximum/Minimum Readings

The main function of the front panel buttons during operation is to display the maximum and minimum readings reached by the process.



- Press **Up** to Display and to Toggle Between Max/Min
- Press **Enter** to Hold Max/Min
- Press **Right** to Reset Max/Min
- Press **Menu** to Exit Max/Min

1. Press **Up** arrow/**Max** button to display maximum reading since the last reset/power-up.
2. Press **Up** arrow/**Max** again to display the minimum reading since the last reset/power-up.
3. Press **Enter/Ack** to hold Max/Min display reading, the meter will continue to track new Max/Min readings.
4. If **Enter/Ack** is not pressed, the Max/Min display reading will time out after ten seconds and the meter will return to display the actual reading.
5. Press **Right** arrow/**Reset** button to reset Max/Min while reading is being displayed. Max/Min display readings are reset to actual reading.

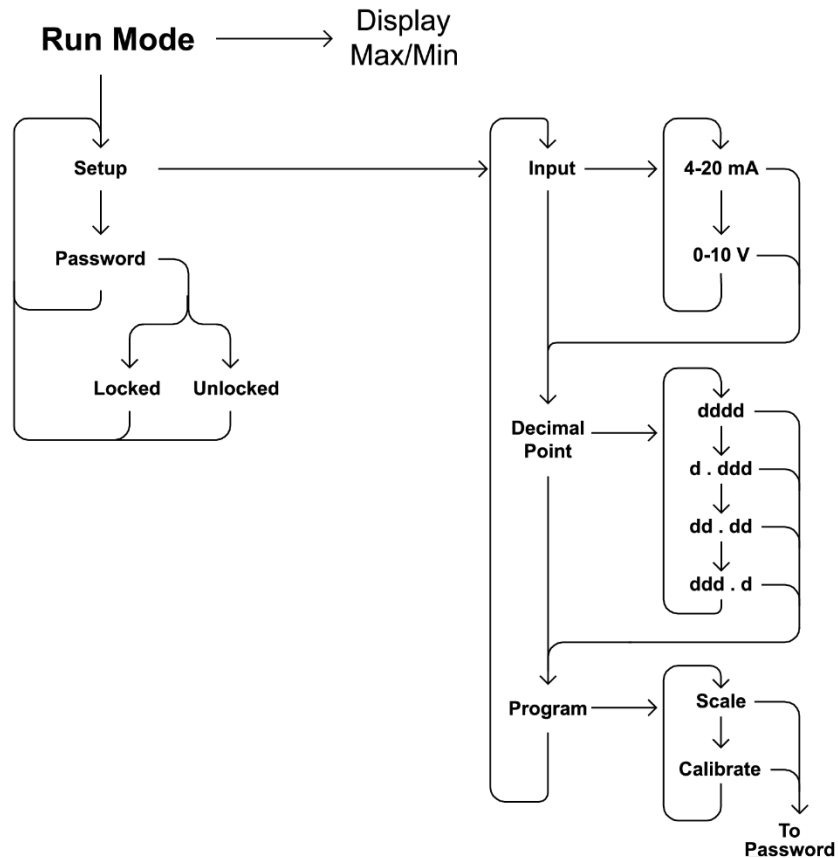
## Troubleshooting

The rugged design and the user-friendly interface of the meter should make it unusual for the installer or operator to refer to this section of the manual.

### Troubleshooting Tips

Symptom	Check/Action
No display at all	Check power at power connector
Not able to change setup or programming, <i>LoLd</i> is displayed	Meter is locked, enter correct four-digit password to unlock
Meter displays error message during calibration ( <i>Err</i> )	Check: 1. Signal connections 2. Input selected in <i>Setup</i> menu 3. Minimum input span requirements
Meter displays • <i>9999</i> • <i>-1999</i>	Check: 1. Input selected in <i>Setup</i> menu 2. Corresponding signal at Signal connector
Display alternates between 1. <i>H</i> and a number 2. <i>Lo</i> and a number	Press <b>Menu</b> to exit Max/Min display readings.
If the display locks up or the meter does not respond at all	Cycle the power to restart the microprocessor.
Other symptoms not described above	Call Technical Support for assistance.

## Quick User Interface Reference Guide



## Contact Precision Digital

### Technical Support

Call: (800) 610-5239 or (508) 655-7300

Fax: (508) 655-8990

Email: [support@predig.com](mailto:support@predig.com)

### Sales Support

Call: (800) 343-1001 or (508) 655-7300

Fax: (508) 655-8990

Email: [sales@predig.com](mailto:sales@predig.com)

### Place Orders

Email: [orders@predig.com](mailto:orders@predig.com)

For the latest version of this manual please visit

[www.predig.com](http://www.predig.com)

### PRECISION DIGITAL CORPORATION

233 South Street • Hopkinton MA 01748 USA

Tel (800) 343-1001 • Fax (508) 655-8990

[www.predig.com](http://www.predig.com)

