

PDA-BUTTON1 Series

Momentary Pushbuttons



Buttons available in
Red, Green, and Black



FEATURES

- Fully Sealed to IP67
- Momentary Action
- Available in Red, Green, and Black Buttons
- Use With Precision Digital Meters to Reset Relays, Silence Horn, Reset Total, etc
- Wire Leads
- Flame Retardant UL Rated Material
- Gold Plated Contacts
- Life up to 500,000 Cycles
- Brass Locknut
- Sealing Washer

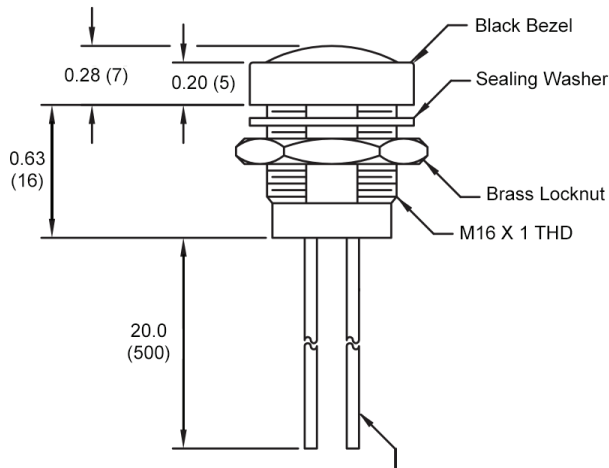
OVERVIEW

The PDA-BUTTON1 Series are IP67 fully sealed momentary pushbuttons that can be used for a variety of applications, such as resetting the manually-resettable relays on various Precision Digital meters. They are available with red, black and green buttons. These fully sealed pushbuttons are SPST-NO so they will satisfy a variety of circuit requirements. The double break mechanism also provides reliable switching of DC loads. These rugged switches are ideal for harsh environments. The PDABUTTON1 Series pushbuttons are recommended for use with the PDA-LH Light / Horn Series and can be used to silence the horn or turn off the light.

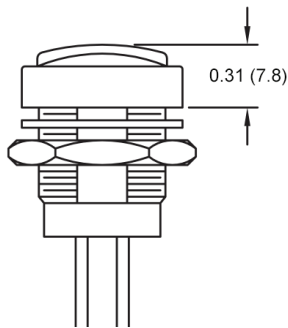
PDA-BUTTON1 Series Momentary Pushbuttons

DIMENSIONS

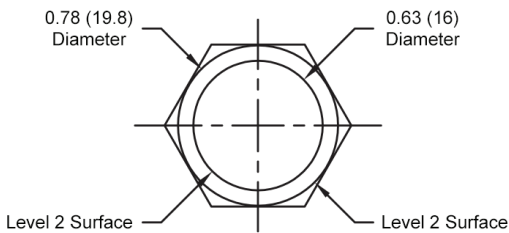
Units: Inches (mm)



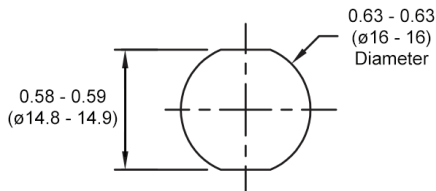
2 X 24 AWG Type 44 stranded primary lead wire with blue PVF insulation per MIL-W-81044 rated at -65 to 150°C plain, unstripped ends



Round Bezel Dimensions



Recommended Panel Cut-Out



PUSHBUTTON LABELS



The PDA-BUTTON1 comes with 9 pre-printed message labels the user can affix under the pushbutton: RESET, BATCH, ACK, TARE, SILENCE, STOP, START, PAUSE, START/STOP.

SPECIFICATIONS

Environmental Rated: IP67

Hole Size: 0.630" (16 mm)

Circuit: SPST-NO

Travel: 0.090" (2.3 mm) nominal

Operating Force: 3N (306 g)

Panel Thickness: 0.310" (8 mm) Max

Contact Material: gold plated palladium nickel

Wire Leads: 24 AWG insulated stranded wire, 20.0" (500 mm)

Contact Resistance: 150 mΩ max including wire leads

Current Rating (typical): 400 mA at 32 VAC resistive, 100 mA at 50 VDC resistive, 125 mA at 125 VAC resistive

Dielectric Strength: 1000 VAC for 1 min

Insulation Resistance: 1 GΩ @ 500 VDC

Life (nominal): 1,000,000 cycles (mechanical), 500,000 (max) cycles (electrical)

Operating Temperature: -55 to 105°C

Body and Button Material: PBT

ORDERING INFORMATION

Model	Description
PDA-BUTTON1R	Red Pushbutton
PDA-BUTTON1G	Green Pushbutton
PDA-BUTTON1B	Black Pushbutton

WARNING - Cancer and Reproductive Harm - www.P65Warnings.ca.gov

Disclaimer

The information contained in this document is subject to change without notice. Precision Digital Corporation makes no representations or warranties with respect to the contents hereof, and specifically disclaims any implied warranties of merchantability or fitness for a particular purpose.

©2024 Precision Digital Corporation. All rights reserved.