

PD6770

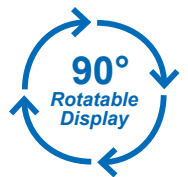
General Purpose NEMA 4X, IP66 Loop-Powered Meter



General Purpose

3½ DIGITS • LARGE DISPLAY

- NEMA 4X, IP66 Loop-Powered Field-Mount Process Meter
- 4-20 mA Input
- 1.0" (25.4 mm) 3½ Digits LCD Display; -1999 to 1999
- 1 Volt Drop (4 Volt Drop with Backlight)
- HART® Protocol Transparent
- Loop-Powered Backlight Standard
- Operates from -40 to 75°C (-40 to 167°F)
- Coarse and Fine Zero & Span Potentiometer Adjustments for Easy Field Scaling
- Flanges for Wall or Pipe Mounting
- Plastic NEMA 4X, IP66 Enclosure
- Conformal Coated PCBs for Dust and Humidity Protection
- Three ¾" NPT Threaded Conduit Openings (Two Plugs Installed)
- Pipe Mounting Kits
- Stainless Steel Tag Available



**PRECISION
DIGITAL** ÷

www.predig.com

PRECISION DIGITAL CORPORATION

PD6770 General Purpose NEMA 4X, IP66 Loop-Powered Meter

OVERVIEW

The PD6770 is a general purpose, field-mount loop-powered indicator that is easy to install and program. It can be seen from considerable distance and even in bright sunlight. The fact that this meter is loop-powered means that there is no need to run additional, costly power lines. The meter gets all of the power it needs from the 4-20 mA loop and its 1 V drop results in a minimal burden on the loop. The meter features a wide -40 to +75°C operating temperature range and comes with three ¾" NPT threaded conduit openings and flanges for wall or pipe mounting. Calibration is a quick two-step process involving the adjustment of only high and low, non-interacting potentiometers.

SPECIFICATIONS

Except where noted all specifications apply to operation at +25°C.

Display: 1.0" (25.4 mm) LCD, 3½ digits; -1999 to 1999

Display Update Rate: 2.5 Updates/Second

Display Orientation: Display may be mounted at 90° increments up to 270° from default orientation

Overrange: Display reads 1 on the left most digit

Programming Method: Four front mounted potentiometers accessed when the cover is removed.

Recalibration: Recommended at least every 12 months.

Normal Mode Rejection: 60 dB rejection ratio

Operating Temperature Range: -40 to 75°C

Storage Temperature Range: -40 to 75°C

Relative Humidity: 0 to 90% non-condensing. Printed circuit boards are conformally coated.

Connections: Screw terminals accept 12 to 22 AWG wire

Enclosure: NEMA 4X, IP66 plastic field enclosure. Color: Grey. Material: Polycarbonate with UV Stabilizer. Three ¾" NPT threaded conduit openings. Two ¾" NPT plastic conduit plugs, with 1.29" wrenching flats and a screwdriver slot, are included.

Mounting: May be mounted directly to conduit. Two slotted flanges for wall mounting or NPS 1½" to 2½" or DN 40 to 65 mm pipe mounting.

Overall Dimensions: 5.67" x 5.25" x 4.18"
(144 mm x 133 mm x 106 mm) (W x H x D)

Weight: 1.65 lbs (26.4 oz, .75 kg)

Warranty: 3 years parts and labor

Input

Input: 4-20 mA

Accuracy: ±0.1% of full span ±1 count

Temperature Drift: 150 PPM/°C from -40 to 75°C ambient

Decimal Point: User selectable decimal point

Calibration Range: 4 mA input: -1000 to +1000; 20 mA between 20 and 2000 counts greater than 4 mA display. Two point linear display span.

Maximum Voltage Drop: 1 VDC @ 20 mA without backlight;
4 VDC @ 20 mA with loop-powered backlight.

Input Overload: Over current protection to 2 A max.

Loop-Powered Backlight: Powered directly from the 4-20 mA loop, no batteries required. Backlight can be enabled or disabled via alternative wiring of terminal block. The display brightness will increase as the input signal current increases.

Disclaimer

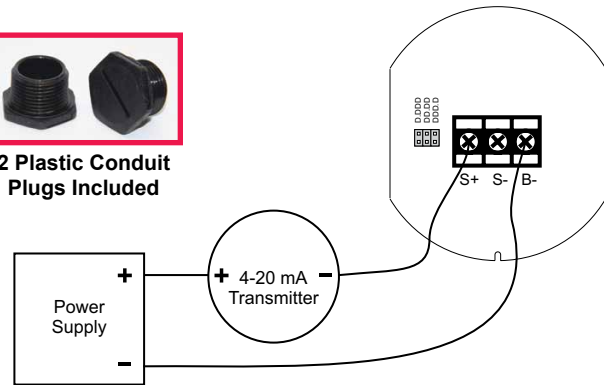
The information contained in this document is subject to change without notice. Precision Digital Corporation makes no representations or warranties with respect to the contents hereof, and specifically disclaims any implied warranties of merchantability or fitness for a particular purpose.

©2013-2018 Precision Digital Corporation. All rights reserved.

CONNECTIONS

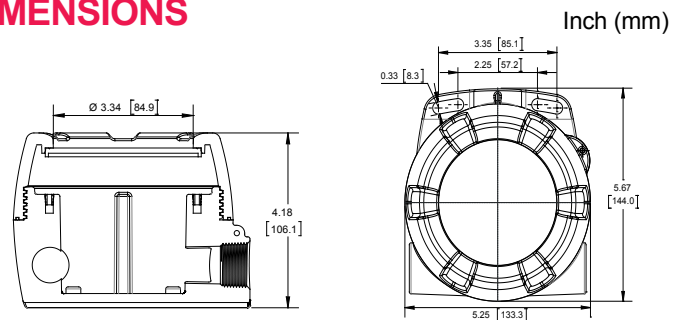


2 Plastic Conduit Plugs Included



PD6770 Input Connections with Loop-Powered Backlight

DIMENSIONS



ORDERING INFORMATION

PD6770 G.P. NEMA 4X, IP66 Loop-Powered Meter	
Model	Description
PD6770-0K0	Loop-Powered Process Meter with Backlight

Accessories	
Model	Description
PDA6846	2" Pipe Mounting Kit (zinc plated steel)
PDA6846-SS	2" Pipe Mounting Kit (stainless steel)
PDA-SSTAG	Stainless Steel Tag

Your Local Distributor is: